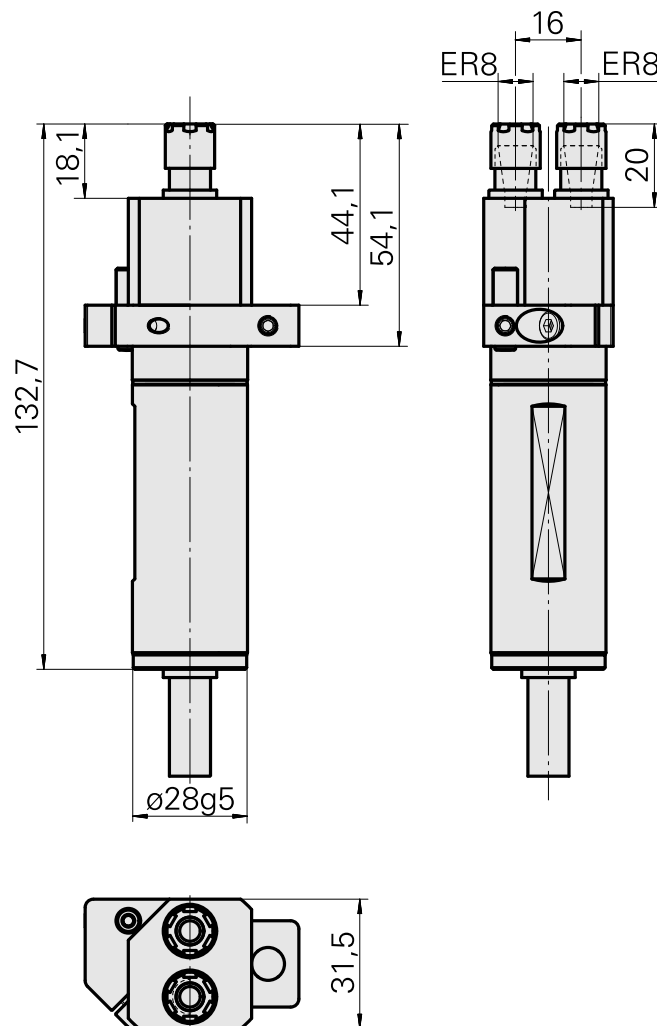
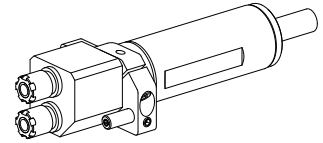


## Drilling tool holder Shank 28 ER8, double

### Technical data

Shank TNL	Shank 28
Drive	not live
Fixation TNL	Pre-centering pin
Cooling	internal
Pressure	120 bar
Mounting	ER8
X [mm]	±8 (±0.32")
Y [mm]	-
Z [mm]	54 (2.13)
INDEX TRAUB products	TNL12 • TNL12.2



---

## Documents

No downloads available for this product

## Accessories

Required for operation

### COOLANT TUBE COMPLETE

Product ID : 10255957

Previous product ID : 989156

---

### CL feeder, fixed TNL12.2, Back/front working unit

Product ID : 12063156

Previous product ID :

---

### Spanner

Product ID : 11077222

Previous product ID : 323118

TH accessories category Tool	Mounting ER8	Collet type ER 8	Clamping nut type Female thread diameter reduced
Tools for Collet chucks Clamping nut wrench			

## Optional accessories

### Tool holder accessories

### Clamping nut

Product ID : 10490215

Previous product ID : 323117

TH accessories category Clamping nut	Mounting ER8	Collet type ER 8	Clamping nut type Female thread diameter reduced
---	-----------------	---------------------	---

### Other accessories

11028802  
987211

**INDEX**

---

Clamping collet

Product ID : 10719579

Previous product ID : 901930.8---

---

Spanner

Product ID : 12083203

Previous product ID :

---