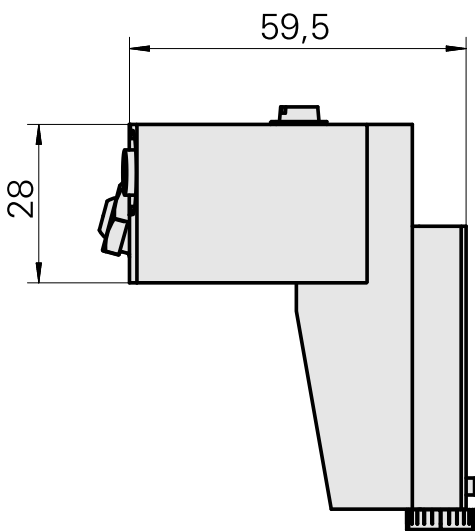
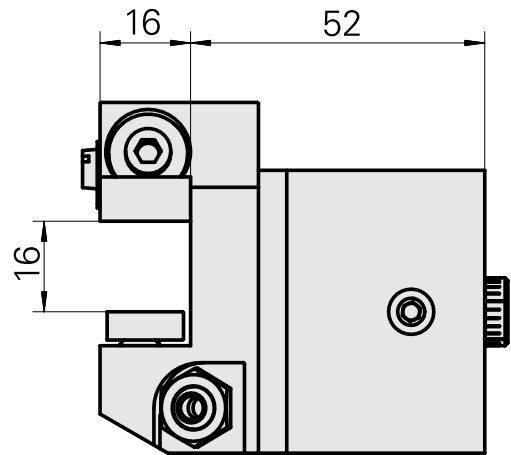
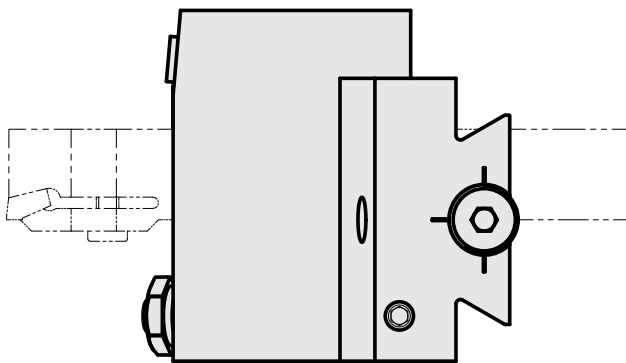
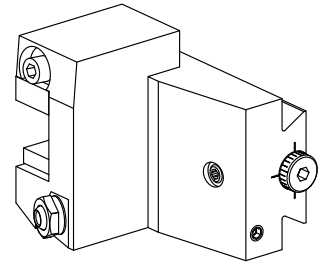


## Grooving tool holding block Square 16x16, adjustable in Y direction

### Technical data

Drive	not live
Cooling	external
Pressure	80 bar
Direction	right-handed run
Mounting	Square 16x16
X [mm]	59.5 (2.34")
Y [mm]	–
Z [mm]	52 (2.05)



---

## Documents

No downloads available for this product

## Accessories

### Optional accessories

#### Other accessories

#### [Nozzle Kugel-D8](#)

Product ID : 10007891

Previous product ID : 904837

---

#### [Bush 4x8x12](#)

Product ID : 10831938

Previous product ID : W02010.0002

---

#### [Adjusting screw M6x0,25](#)

Product ID : 10287476

Previous product ID : W00011.0012

---

#### [Hollow screw M12x1](#)

Product ID : 10757766

Previous product ID : W02013.0001

---

#### [Ball nozzle D8xM5](#)

Product ID : 10392450

Previous product ID : W02019.0002

---