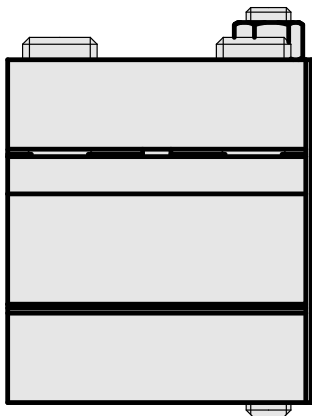
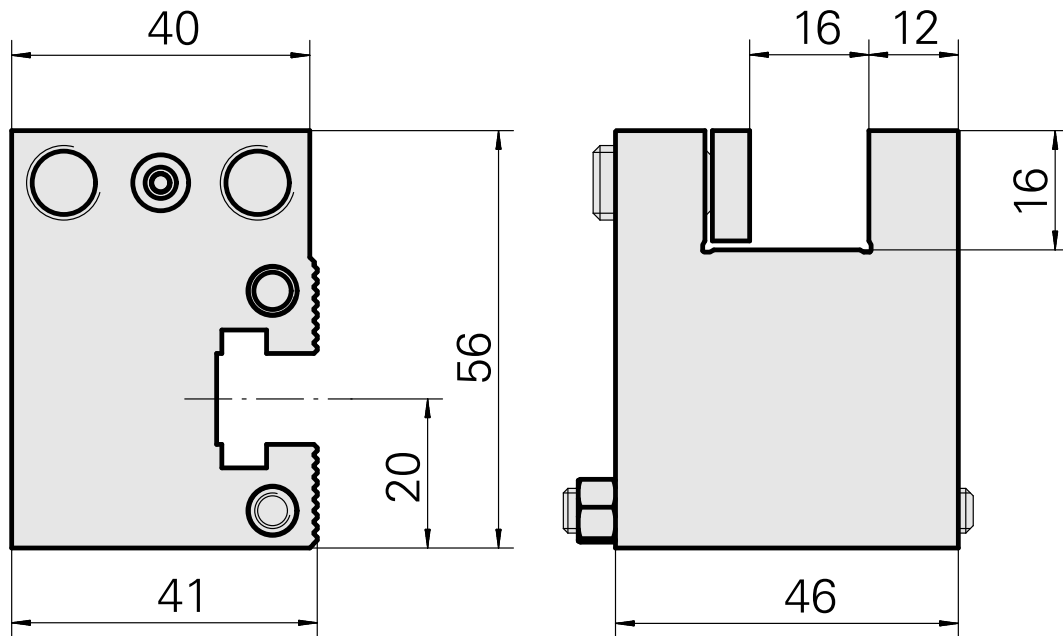
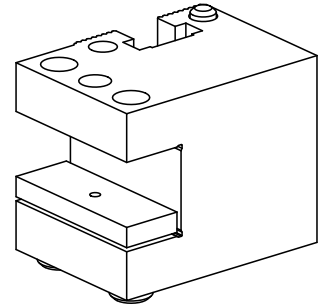


Grooving tool holding block Square 16x16, vertically adjustable

Technical data

Drive	not live
Mounting	Square 16x16
X [mm]	40 (1.57")
Y [mm]	–
Z [mm]	40 (1.57)
INDEX TRAUB products	C42/65 • G160 • G300 • ABC • B400 • C100 • C200 • G200 • G200.2 • G220 • G250 • TNX65/42 • TNA400.2 • ABC.2 • G300.2 • G320.2 • B400.3 • TNA400.3 • G320.3 compact



Documents

No downloads available for this product