

WFB 20-12 Milling shaft D22, with cutter tightening screw

Technical data

TH accessories category

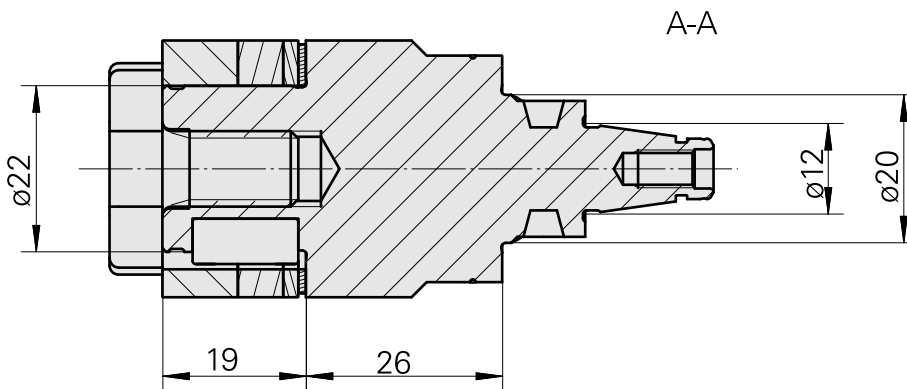
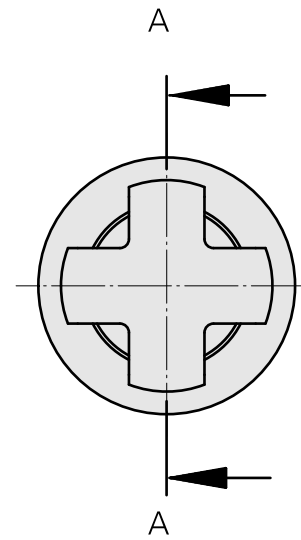
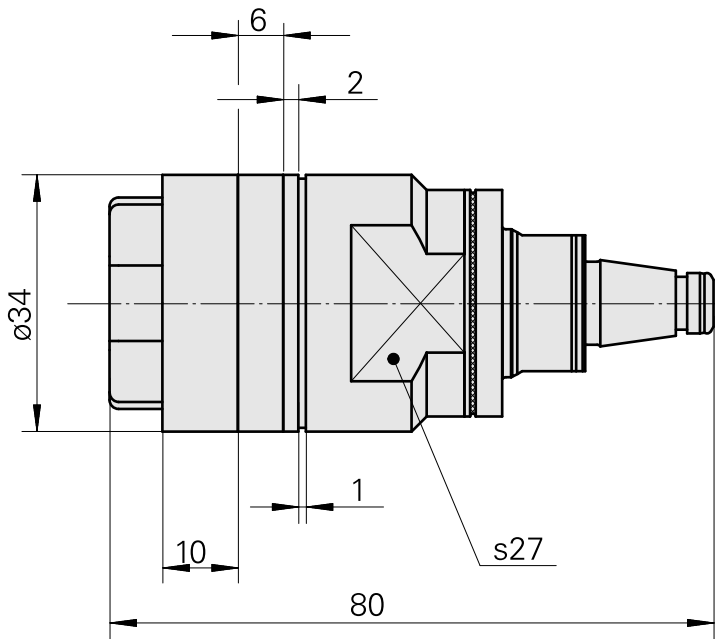
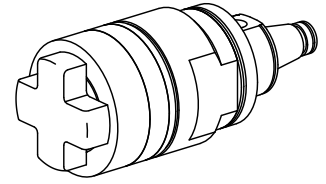
WFB 20-12

Mounting

Milling shaft D22

Quick change inserts

mill arbor mounting



Documents

No downloads available for this product

Accessories

Required for operation

[mill arbor wrench](#)

Product ID : 10428155

Previous product ID : 203020.1220

TH accessories
category
Tool

Mounting
Milling shaft D22

Tools for Collet chucks
Mill arbor wrench

Optional accessories

Tool holder accessories

[Screw](#)

Product ID : 10638143

Previous product ID : 250122.1028

TH accessories
category
Cutter tightening screw

Mounting
M10

Other accessories

[Ring](#)

Product ID : 10398855

Previous product ID : 251390.----

[Ring](#)

Product ID : 10169490

Previous product ID : 251391.----
