

## WFB 32-20 D6

### Technical data

TH accessories category

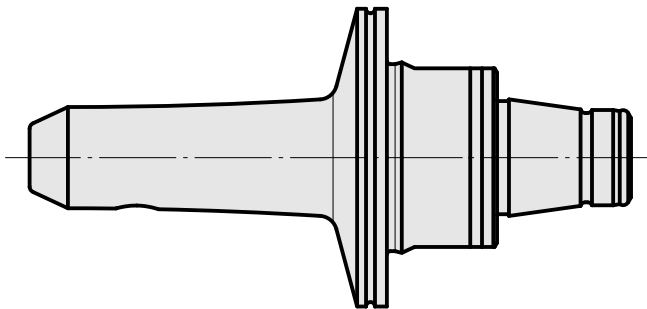
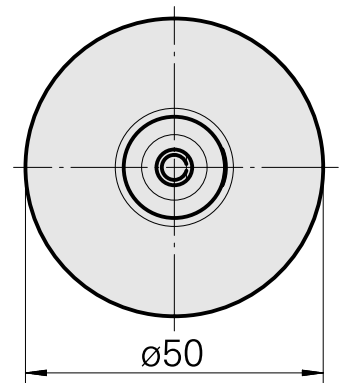
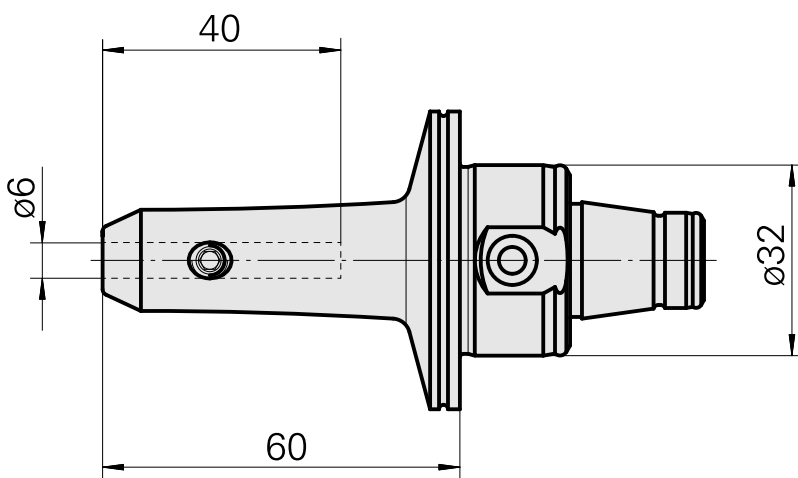
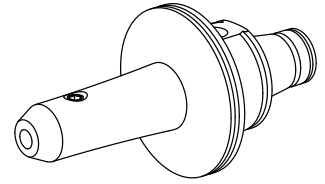
WFB 32-20

Mounting

D6

Quick change inserts

Weldon mounting



## **Documents**

No downloads available for this product