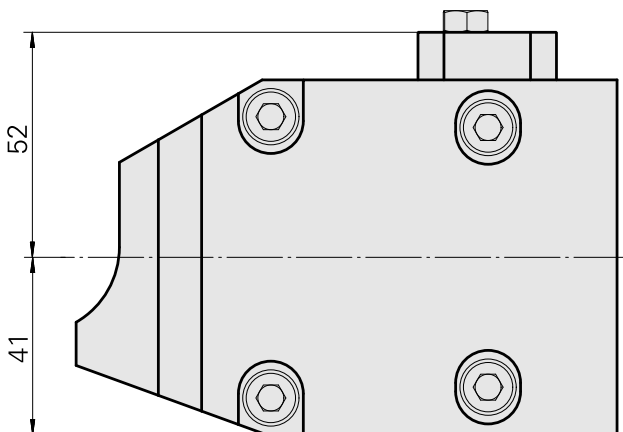
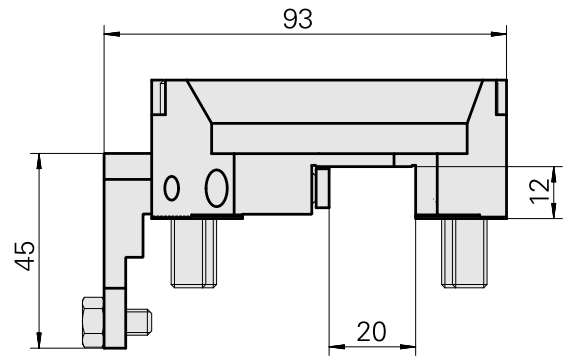
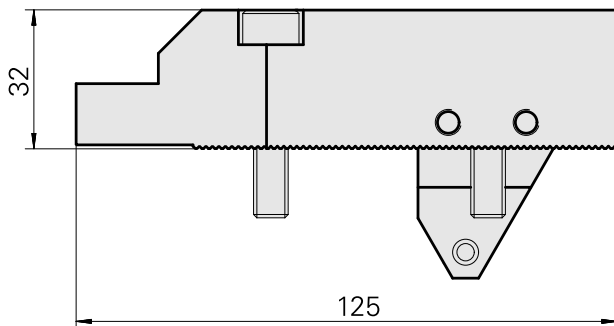
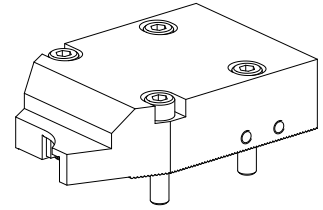


Grooving tool holding block Sqare 20x12

Technical data

Drive	not live
Direction	left-handed run
Mounting	Sqare 20x12
X [mm]	125 (4.92")
Y [mm]	-
Z [mm]	32 (1.26)
INDEX TRAUB products	MS52C • MS52-6.3



Documents

No downloads available for this product