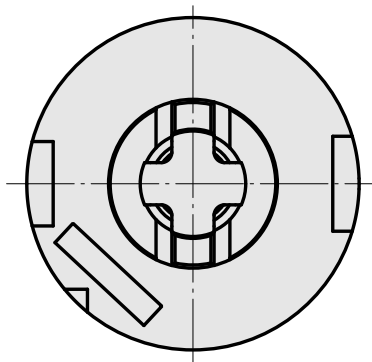
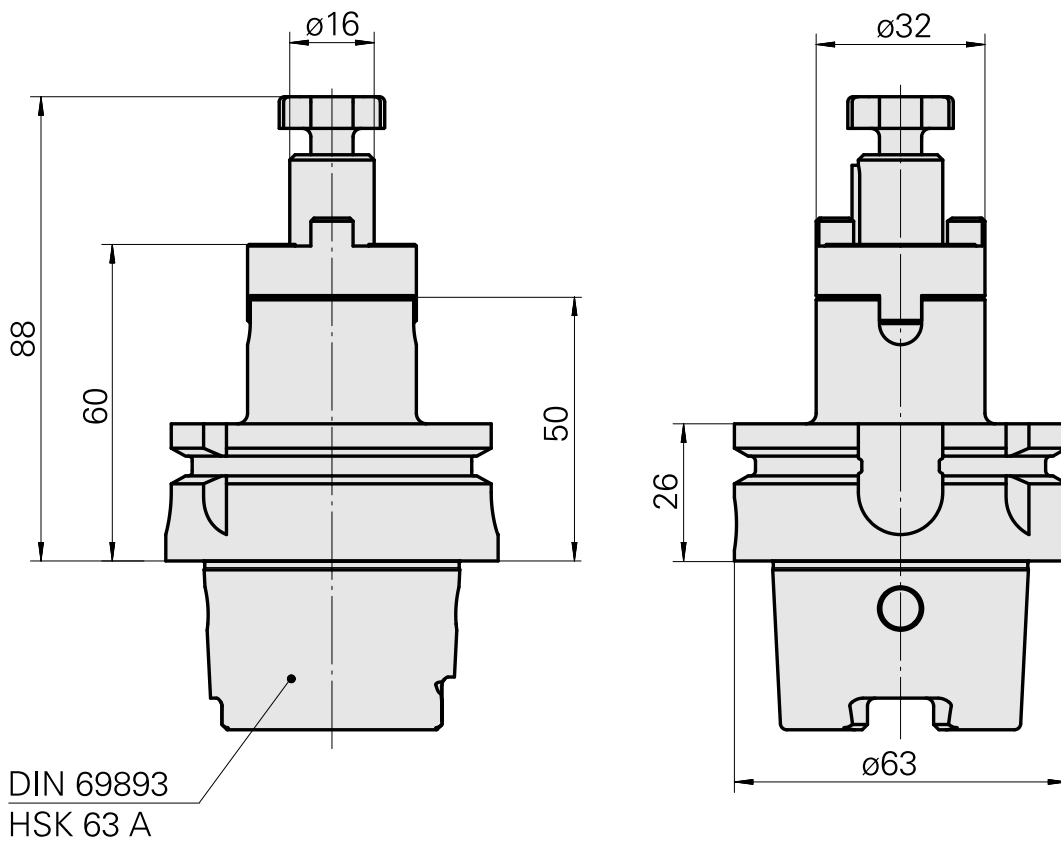
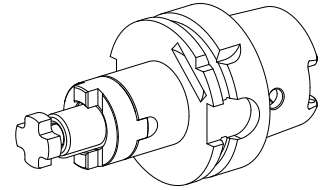


Milling cutter holder HSK 63 A Milling s

Technical data

Shank HSK	HSK 63
Form HSK	A
Mounting	Milling shaft D16
X [mm]	60 (2.36")
INDEX TRAUB products	G220 • R300 • G420 • G520 • G320.2 • G220.3 • TNX220.3 • G320.3 compact



Documents

No downloads available for this product

Accessories

Required for operation

Screw

Product ID : 10381768

Previous product ID : 250122.0820

Categoria acces. portautensile Vite serraggio fresa	Attacco M8
---	---------------

Socket wrench

Product ID : 10352082

Previous product ID : WS7800.0010

Categoria acces. portautensile Strumento per adattatore KSS	Attacco HSK 63 A/C
--	-----------------------

Optional accessories

Tool holder accessories

Chiave mandrino portafresa

Product ID : 10007866

Previous product ID : 203020.1160

Categoria acces. portautensile Attrezzo per pinze di serrag.	Attacco Albero portafrese D16	Strumento per pinze Chiave mandrino portafresa
---	----------------------------------	--

[Set adattatore refrigerante HSK-A63](#)

Product ID : 11074450

Previous product ID : WS7800.0020

Categoria acces. portautensile Kit trasporto lubrorefrigeran.	Attacco HSK 63 A/C
--	-----------------------

[Set adattatore refrigerante HSK63, massimo 120 bar](#)

Product ID : 12024087

Previous product ID :

Categoria acces. portautensile Kit trasporto lubrorefrigeran.	Attacco HSK 63 A/C
--	-----------------------

Other accessories

[Anello](#)

Product ID : 10398855

Previous product ID : 251390.----

[Anello](#)

Product ID : 10169490

Previous product ID : 251391.----
