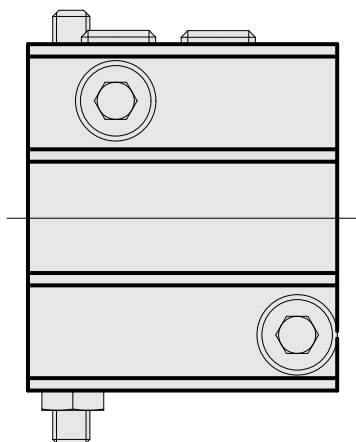
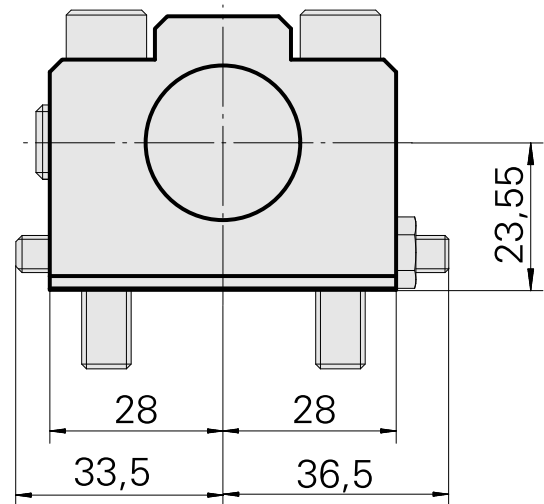
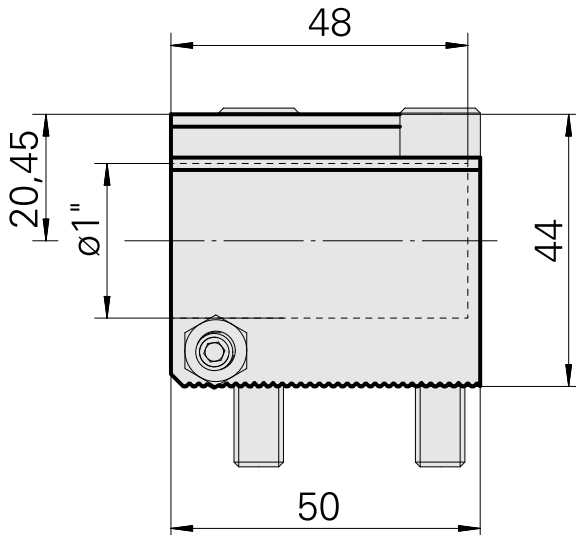
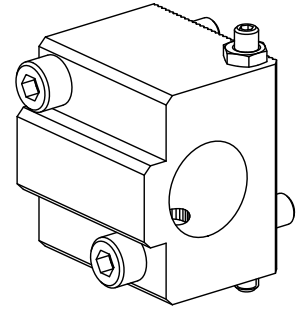


Drill holding block D1", horizontally adjustable

Technical data

| | |
|----------------------|---------------|
| Drive | not live |
| Cooling | internal |
| Pressure | 20 bar |
| Mounting | D1" |
| reversible 180° | no |
| X [mm] | 23.55 (0.93") |
| Y [mm] | - |
| Z [mm] | 50 (1.97) |
| INDEX TRAUB products | ABC • ABC.2 |



Documents

No downloads available for this product