

## Adaptor

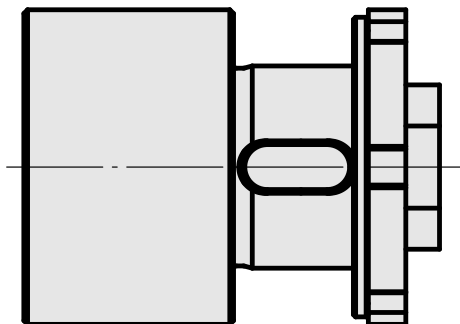
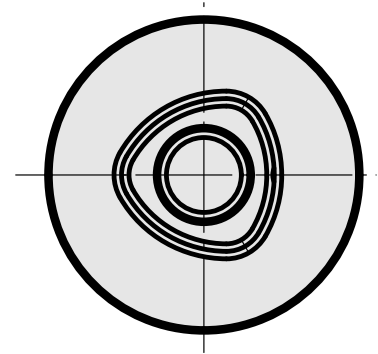
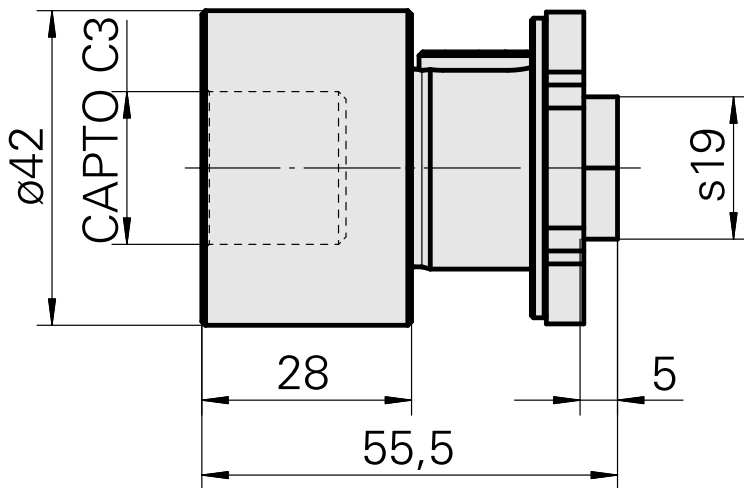
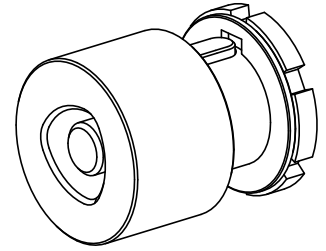
### Technical data

TH accessories category

Adapters INDEX CAPTO C3

Mounting

Milling shaft D32



## **Documents**

No downloads available for this product