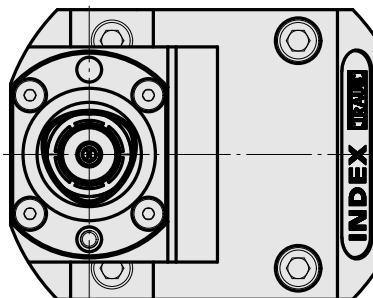
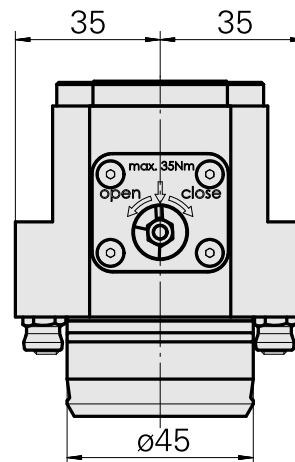
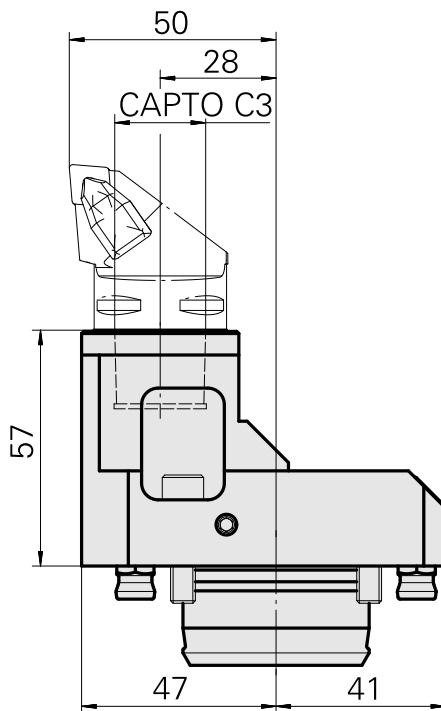
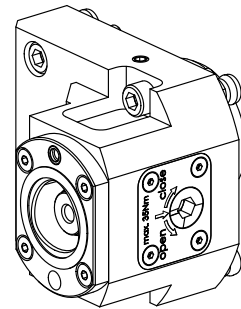


Basic holder KPS 45 INDEX CAPTO C3

Technical data

Shank KPS	KPS 45
Drive	not live
Cooling	internal
Mounting	INDEX CAPTO C3
Pressure	80 bar
X [mm]	57 (2.24")
Y [mm]	–
Z [mm]	28 (1.10)
INDEX TRAUB products	ABC65 • TNK42/65



Documents

Product notes

[FR \(pdf\)](#)

[EN \(pdf\)](#)

[DE \(pdf\)](#)

Accessories

Optional accessories

Other accessories

[Adapter INDEX CAPTO C3 fixed](#)

Product ID : 12062333

Previous product ID :
