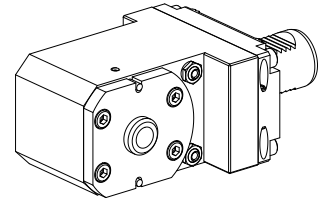

Center holder VDI 40 D15.4 (0.61 ")/Con, vertically adjustable, not spring-loaded

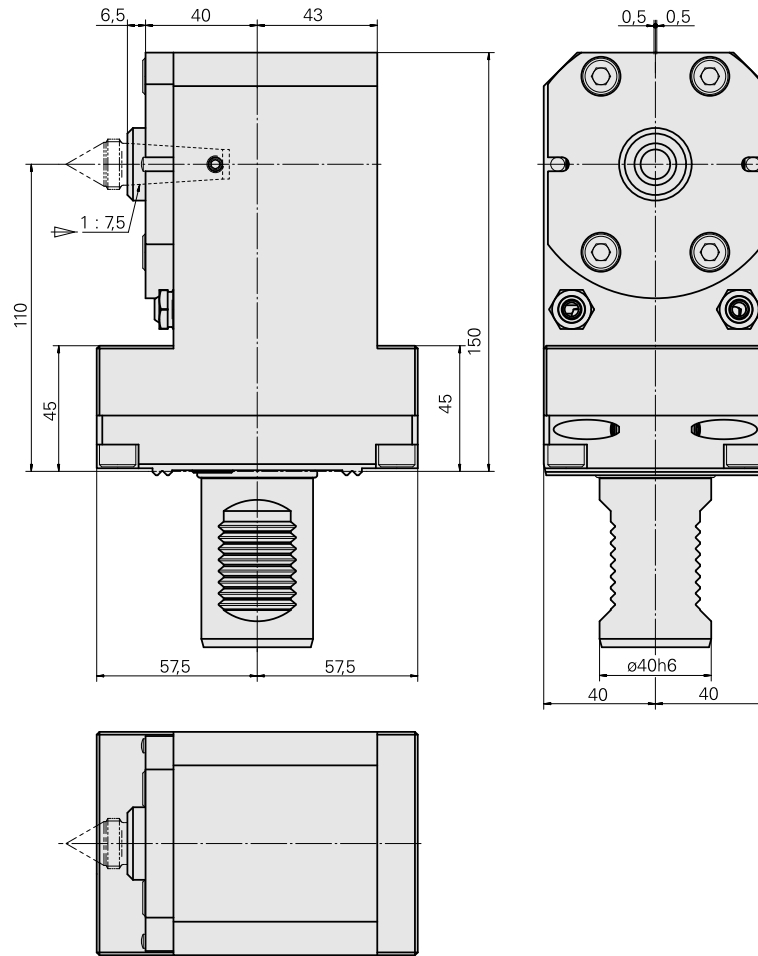
Technical data

Shank VDI	VDI 40
Drive	not live
Fixation VDI	W serration
Cooling	external
Pressure	80 bar
Mounting	D15.4/Cone 1:7.5
reversible 180°	yes
X [mm]	110 (4.33")
Y [mm]	±0.5 (±0.02)
Z [mm]	46.5 (1.83)
INDEX TRAUB products	G420 • G400.2



Note

Center is replaceable!



Documents

No downloads available for this product

Accessories

Optional accessories

Tool holder accessories

[tube, M6x48,45°](#)

Product ID : 10683174

Previous product ID : W63501.2622

TH accessories
category
Cooling lubricant tube

Mounting
M6

Other accessories

[Center Kegel 1:7.5](#)

Product ID : 10606287

Previous product ID : W9636-.21--

[Coolant Nozzle](#)

Product ID : 11031912

Previous product ID : W67500.3208

[Sealing kit](#)

Product ID : 12181693

Previous product ID :
