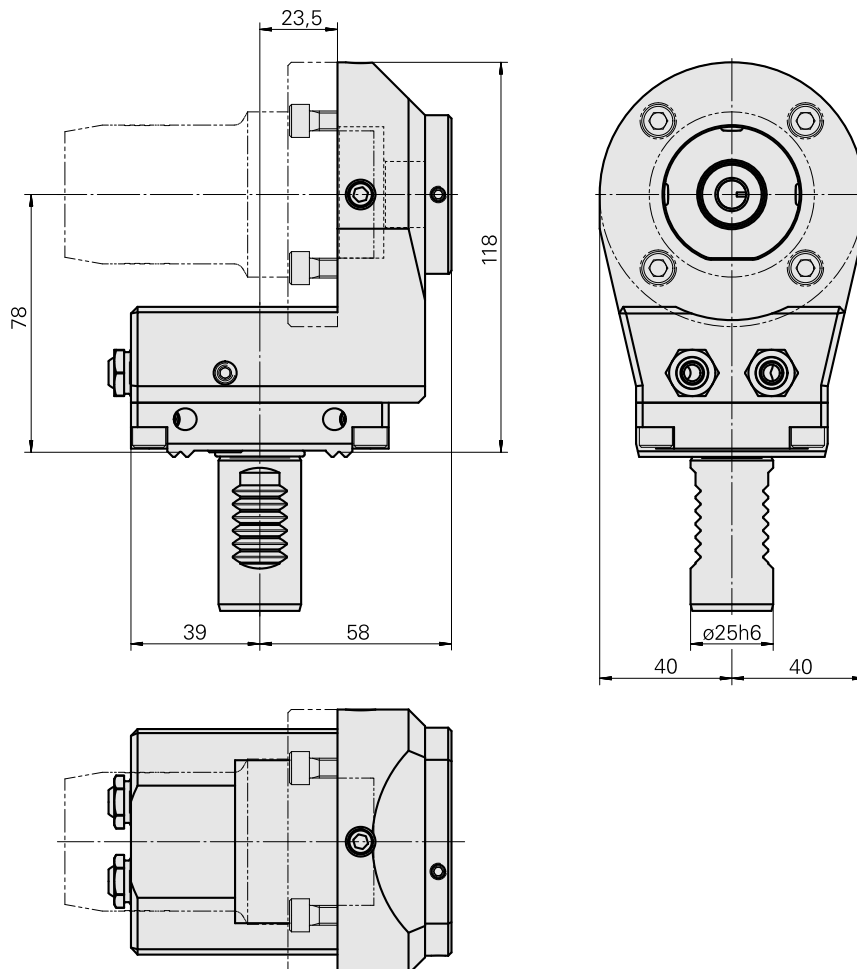
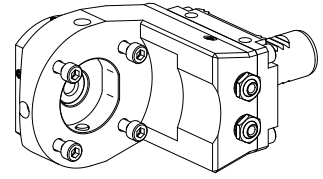


Basic holder VDI 25

Technical data

| | |
|----------------------|--|
| Shank VDI | VDI 25 |
| Drive | not live |
| Fixation VDI | W serration |
| Cooling | external and internal |
| Pressure | 80 bar |
| reversible 180° | yes |
| X [mm] | 78 (3.07") |
| Y [mm] | – |
| Z [mm] | -23.5 (-0.93) |
| INDEX TRAUB products | C42/65 • G160 • ABC • C100 • C200 • G200 • G200.2 • G220 • ABC.2 • G220.3 • TNX220.3 • TNX200.3 • G200.3 • TNX160.2 |



Documents

Product notes

[EN \(pdf\)](#)

[FR \(pdf\)](#)

[DE \(pdf\)](#)

Accessories

Optional accessories

Tool holders with VDI shank

[Drill holding block Hydraulic expansion](#)

Product ID : 10339021

Previous product ID : W9990315

| | | | |
|---|------------------------|----------------------------------|--------------------|
| Drive not live | Fixation VDI none | Cooling external and internal | Pressure 80 bar |
| Mounting Hydraulic expansion chuck D12 | X [mm] 77.5 (3.05") | Y [mm] - | Z [mm] - |
| INDEX TRAUB products G160 • ABC • C100 • C200 • G200 • G200.2 • G220 • ABC.2 | | | |

[Drill holding block Hydraulic expansion](#)

Product ID : 10090979

Previous product ID : W9990314

| | | | |
|---|----------------------|----------------------------------|--------------------|
| Drive not live | Fixation VDI none | Cooling external and internal | Pressure 80 bar |
| Mounting Hydraulic expansion chuck D20 | X [mm] 83 (3.27") | Y [mm] - | Z [mm] - |
| INDEX TRAUB products G160 • ABC • C100 • C200 • G200 • G200.2 • G220 • ABC.2 | | | |

Other accessories

[Sealing kit](#)

Product ID : 12181692
Previous product ID :

[PLUG 10,5 D MIT O-RING 479105.0801](#)

Product ID : 10823291
Previous product ID : W67221.4198

[Coolant Nozzle](#)

Product ID : 11031912
Previous product ID : W67500.3208

[BUSHING 10 D x 6 D x 12,5](#)

Product ID : 10670360
Previous product ID : W67530.0824

[HOLLOW SCREW M14x1 M14x1](#)

Product ID : 10105238
Previous product ID : W67530.0818

[Nozzle M6 mit D1,6](#)

Product ID : 10147428
Previous product ID : W00019.0216
