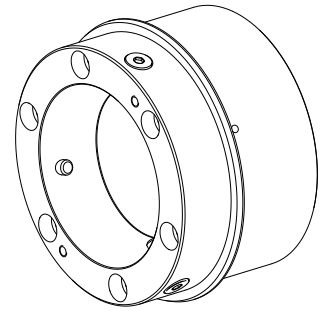


collet insert

Technical data

INDEX TRAUB products	MS52-6.3
Spindle clearance	52mm
Machining side	Main spindle
Ext. manufact. product feature	Modular
manufacturer product line	SPANNTOP nova chuck
Spindle mounting	AP133
Clamping device size	SK65
manufacturer product line	Hainbuch



No 3-side view is currently available for this product

Documents

No downloads available for this product

Accessories

Optional accessories

Other accessories

[Fixture](#)

Product ID : 10614886

Previous product ID : 900465.8201

Clamping device size SK65	manufacturer product line SPANNTOP nova chuck • SPANNTOP mini chuck	Clamping method External clamping	manufacturer product line Hainbuch
------------------------------	---	--------------------------------------	---------------------------------------

[Fixture](#)

Product ID : 10646742

Previous product ID : 900480.8261

Clamping device size SK65	manufacturer product line SPANNTOP nova chuck • SPANNTOP mini chuck • TOPlus chuck	Clamping type Pneumatic	Clamping method External clamping
manufacturer product line Hainbuch			

[Clamping head SK65 D=5,00mm](#)

Product ID : 10282816

Previous product ID : 900465.0500

Clamping device size SK65	manufacturer product line SPANNTOP nova chuck	Clamping type grooved	Nominal diameter (mm) 5 Millimeter
Clamping method External clamping	manufacturer product line Hainbuch		

Clamping head SK65 D=6,00mm

Product ID : 10391389

Previous product ID : 900465.0600

Clamping device size SK65	manufacturer product line SPANNTOP nova chuck	Clamping type grooved	Nominal diameter (mm) 6 Millimeter
Clamping method External clamping	manufacturer product line Hainbuch		

Clamping head SK65 D=7,00mm

Product ID : 10335417

Previous product ID : 900465.0700

Clamping device size SK65	manufacturer product line SPANNTOP nova chuck	Clamping type grooved	Nominal diameter (mm) 7 Millimeter
Clamping method External clamping	manufacturer product line Hainbuch		

Clamping head SK65 D=8,00mm

Product ID : 10147578

Previous product ID : 900465.0800

Clamping device size SK65	manufacturer product line SPANNTOP nova chuck	Clamping type grooved	Nominal diameter (mm) 8 Millimeter
Clamping method External clamping	manufacturer product line Hainbuch		

Clamping head SK65 D=9,00mm

Product ID : 10535985

Previous product ID : 900465.0900

Clamping device size SK65	manufacturer product line SPANNTOP nova chuck	Clamping type grooved	Nominal diameter (mm) 9 Millimeter
Clamping method External clamping	manufacturer product line Hainbuch		

Clamping head SK65 D=10,00mm

Product ID : 10482936

Previous product ID : 900465.1000

Clamping device size SK65	manufacturer product line SPANNTOP nova chuck	Clamping type grooved	Nominal diameter (mm) 10 Millimeter
Clamping method External clamping	manufacturer product line Hainbuch		

Clamping head SK65 D=11,00mm

Product ID : 10482288

Previous product ID : 900465.1100

Clamping device size SK65	manufacturer product line SPANNTOP nova chuck	Clamping type grooved	Nominal diameter (mm) 11 Millimeter
Clamping method External clamping	manufacturer product line Hainbuch		

Clamping head SK65 D=12,00mm

Product ID : 11050855

Previous product ID : 900465.1200

Clamping device size SK65	manufacturer product line SPANNTOP nova chuck	Clamping type grooved	Nominal diameter (mm) 12 Millimeter
Clamping method External clamping	manufacturer product line Hainbuch		

Clamping head SK65 D=13,00mm

Product ID : 10464997

Previous product ID : 900465.1300

Clamping device size SK65	manufacturer product line SPANNTOP nova chuck	Clamping type grooved	Nominal diameter (mm) 13 Millimeter
Clamping method External clamping	manufacturer product line Hainbuch		

Clamping head SK65 D=14,00mm

Product ID : 10930602

Previous product ID : 900465.1400

Clamping device size SK65	manufacturer product line SPANNTOP nova chuck	Clamping type grooved	Nominal diameter (mm) 14 Millimeter
Clamping method External clamping	manufacturer product line Hainbuch		

Clamping head SK65 D=15,00mm

Product ID : 10174520

Previous product ID : 900465.1500

Clamping device size SK65	manufacturer product line SPANNTOP nova chuck	Clamping type grooved	Nominal diameter (mm) 15 Millimeter
Clamping method External clamping	manufacturer product line Hainbuch		

Clamping head SK65 D=16,00mm

Product ID : 10630545

Previous product ID : 900465.1600

Clamping device size SK65	manufacturer product line SPANNTOP nova chuck	Clamping type grooved	Nominal diameter (mm) 16 Millimeter
Clamping method External clamping	manufacturer product line Hainbuch		

Clamping head SK65 D=17,00mm

Product ID : 10691868

Previous product ID : 900465.1700

Clamping device size SK65	manufacturer product line SPANNTOP nova chuck	Clamping type grooved	Nominal diameter (mm) 17 Millimeter
Clamping method External clamping	manufacturer product line Hainbuch		

Clamping head SK65 D=18,00mm

Product ID : 10303296

Previous product ID : 900465.1800

Clamping device size SK65	manufacturer product line SPANNTOP nova chuck	Clamping type grooved	Nominal diameter (mm) 18 Millimeter
Clamping method External clamping	manufacturer product line Hainbuch		

Clamping head SK65 D=19,00mm

Product ID : 10393834

Previous product ID : 900465.1900

Clamping device size SK65	manufacturer product line SPANNTOP nova chuck	Clamping type grooved	Nominal diameter (mm) 19 Millimeter
Clamping method External clamping	manufacturer product line Hainbuch		

Clamping head SK65 D=20,00mm

Product ID : 10554430

Previous product ID : 900465.2000

Clamping device size SK65	manufacturer product line SPANNTOP nova chuck	Clamping type grooved	Nominal diameter (mm) 20 Millimeter
Clamping method External clamping	manufacturer product line Hainbuch		

Clamping head SK65 D=21,00mm

Product ID : 10554471

Previous product ID : 900465.2100

Clamping device size SK65	manufacturer product line SPANNTOP nova chuck	Clamping type grooved	Nominal diameter (mm) 21 Millimeter
Clamping method External clamping	manufacturer product line Hainbuch		

Clamping head SK65 D=22,00mm

Product ID : 10381560

Previous product ID : 900465.2200

Clamping device size SK65	manufacturer product line SPANNTOP nova chuck	Clamping type grooved	Nominal diameter (mm) 22 Millimeter
Clamping method External clamping	manufacturer product line Hainbuch		

Clamping head SK65 D=23,00mm

Product ID : 10741026

Previous product ID : 900465.2300

Clamping device size SK65	manufacturer product line SPANNTOP nova chuck	Clamping type grooved	Nominal diameter (mm) 23 Millimeter
Clamping method External clamping	manufacturer product line Hainbuch		

Clamping head SK65 D=24,00mm

Product ID : 10229489

Previous product ID : 900465.2400

Clamping device size SK65	manufacturer product line SPANNTOP nova chuck	Clamping type grooved	Nominal diameter (mm) 24 Millimeter
Clamping method External clamping	manufacturer product line Hainbuch		

Clamping head SK65 D=25,00mm

Product ID : 10806555

Previous product ID : 900465.2500

Clamping device size SK65	manufacturer product line SPANNTOP nova chuck	Clamping type grooved	Nominal diameter (mm) 25 Millimeter
Clamping method External clamping	manufacturer product line Hainbuch		

Clamping head SK65 D=26,00mm

Product ID : 10991722

Previous product ID : 900465.2600

Clamping device size SK65	manufacturer product line SPANNTOP nova chuck	Clamping type grooved	Nominal diameter (mm) 26 Millimeter
Clamping method External clamping	manufacturer product line Hainbuch		

Clamping head SK65 D=27,00mm

Product ID : 10756684

Previous product ID : 900465.2700

Clamping device size SK65	manufacturer product line SPANNTOP nova chuck	Clamping type grooved	Nominal diameter (mm) 27 Millimeter
Clamping method External clamping	manufacturer product line Hainbuch		

Clamping head SK65 D=28,00mm

Product ID : 10342545

Previous product ID : 900465.2800

Clamping device size SK65	manufacturer product line SPANNTOP nova chuck	Clamping type grooved	Nominal diameter (mm) 28 Millimeter
Clamping method External clamping	manufacturer product line Hainbuch		

Clamping head SK65 D=29,00mm

Product ID : 10385913

Previous product ID : 900465.2900

Clamping device size SK65	manufacturer product line SPANNTOP nova chuck	Clamping type grooved	Nominal diameter (mm) 29 Millimeter
Clamping method External clamping	manufacturer product line Hainbuch		

Clamping head SK65 D=30,00mm

Product ID : 10642391

Previous product ID : 900465.3000

Clamping device size SK65	manufacturer product line SPANNTOP nova chuck	Clamping type grooved	Nominal diameter (mm) 30 Millimeter
Clamping method External clamping	manufacturer product line Hainbuch		

Clamping head SK65 D=31,00mm

Product ID : 10479992

Previous product ID : 900465.3100

Clamping device size SK65	manufacturer product line SPANNTOP nova chuck	Clamping type grooved	Nominal diameter (mm) 31 Millimeter
Clamping method External clamping	manufacturer product line Hainbuch		

Clamping head SK65 D=32,00mm

Product ID : 10050145

Previous product ID : 900465.3200

Clamping device size SK65	manufacturer product line SPANNTOP nova chuck	Clamping type grooved	Nominal diameter (mm) 32 Millimeter
Clamping method External clamping	manufacturer product line Hainbuch		

Clamping head SK65 D=33,00mm

Product ID : 10881990

Previous product ID : 900465.3300

Clamping device size SK65	manufacturer product line SPANNTOP nova chuck	Clamping type grooved	Nominal diameter (mm) 33 Millimeter
Clamping method External clamping	manufacturer product line Hainbuch		

Clamping head SK65 D=34,00mm

Product ID : 10788415

Previous product ID : 900465.3400

Clamping device size SK65	manufacturer product line SPANNTOP nova chuck	Clamping type grooved	Nominal diameter (mm) 34 Millimeter
Clamping method External clamping	manufacturer product line Hainbuch		

Clamping head SK65 D=35,00mm

Product ID : 10071696

Previous product ID : 900465.3500

Clamping device size SK65	manufacturer product line SPANNTOP nova chuck	Clamping type grooved	Nominal diameter (mm) 35 Millimeter
Clamping method External clamping	manufacturer product line Hainbuch		

Clamping head SK65 D=36,00mm

Product ID : 10518620

Previous product ID : 900465.3600

Clamping device size SK65	manufacturer product line SPANNTOP nova chuck	Clamping type grooved	Nominal diameter (mm) 36 Millimeter
Clamping method External clamping	manufacturer product line Hainbuch		

Clamping head SK65 D=37,00mm

Product ID : 10813265

Previous product ID : 900465.3700

Clamping device size SK65	manufacturer product line SPANNTOP nova chuck	Clamping type grooved	Nominal diameter (mm) 37 Millimeter
Clamping method External clamping	manufacturer product line Hainbuch		

Clamping head SK65 D=38,00mm

Product ID : 11041276

Previous product ID : 900465.3800

Clamping device size SK65	manufacturer product line SPANNTOP nova chuck	Clamping type grooved	Nominal diameter (mm) 38 Millimeter
Clamping method External clamping	manufacturer product line Hainbuch		

Clamping head SK65 D=39,00mm

Product ID : 11017041

Previous product ID : 900465.3900

Clamping device size SK65	manufacturer product line SPANNTOP nova chuck	Clamping type grooved	Nominal diameter (mm) 39 Millimeter
Clamping method External clamping	manufacturer product line Hainbuch		

Clamping head SK65 D=40,00mm

Product ID : 10827589

Previous product ID : 900465.4000

Clamping device size SK65	manufacturer product line SPANNTOP nova chuck	Clamping type grooved	Nominal diameter (mm) 40 Millimeter
Clamping method External clamping	manufacturer product line Hainbuch		

Clamping head SK65 D=41,00mm

Product ID : 10487283

Previous product ID : 900465.4100

Clamping device size SK65	manufacturer product line SPANNTOP nova chuck	Clamping type grooved	Nominal diameter (mm) 41 Millimeter
Clamping method External clamping	manufacturer product line Hainbuch		

Clamping head SK65 D=42,00mm

Product ID : 10948181

Previous product ID : 900465.4200

Clamping device size SK65	manufacturer product line SPANNTOP nova chuck	Clamping type grooved	Nominal diameter (mm) 42 Millimeter
Clamping method External clamping	manufacturer product line Hainbuch		

Clamping head SK65 D=43,00mm

Product ID : 10185590

Previous product ID : 900465.4300

Clamping device size SK65	manufacturer product line SPANNTOP nova chuck	Clamping type grooved	Nominal diameter (mm) 43 Millimeter
Clamping method External clamping	manufacturer product line Hainbuch		

Clamping head SK65 D=44,00mm

Product ID : 10364976

Previous product ID : 900465.4400

Clamping device size SK65	manufacturer product line SPANNTOP nova chuck	Clamping type grooved	Nominal diameter (mm) 44 Millimeter
Clamping method External clamping	manufacturer product line Hainbuch		

Clamping head SK65 D=45,00mm

Product ID : 10323021

Previous product ID : 900465.4500

Clamping device size SK65	manufacturer product line SPANNTOP nova chuck	Clamping type grooved	Nominal diameter (mm) 45 Millimeter
Clamping method External clamping	manufacturer product line Hainbuch		

Clamping head SK65 D=46,00mm

Product ID : 10702916

Previous product ID : 900465.4600

Clamping device size SK65	manufacturer product line SPANNTOP nova chuck	Clamping type grooved	Nominal diameter (mm) 46 Millimeter
Clamping method External clamping	manufacturer product line Hainbuch		

Clamping head SK65 D=47,00mm

Product ID : 10596424

Previous product ID : 900465.4700

Clamping device size SK65	manufacturer product line SPANNTOP nova chuck	Clamping type grooved	Nominal diameter (mm) 47 Millimeter
Clamping method External clamping	manufacturer product line Hainbuch		

Clamping head SK65 D=48,00mm

Product ID : 10701027

Previous product ID : 900465.4800

Clamping device size SK65	manufacturer product line SPANNTOP nova chuck	Clamping type grooved	Nominal diameter (mm) 48 Millimeter
Clamping method External clamping	manufacturer product line Hainbuch		

Clamping head SK65 D=49,00mm

Product ID : 10700083

Previous product ID : 900465.4900

Clamping device size SK65	manufacturer product line SPANNTOP nova chuck	Clamping type grooved	Nominal diameter (mm) 49 Millimeter
Clamping method External clamping	manufacturer product line Hainbuch		

Clamping head SK65 D=50,00mm

Product ID : 10430168

Previous product ID : 900465.5000

Clamping device size SK65	manufacturer product line SPANNTOP nova chuck	Clamping type grooved	Nominal diameter (mm) 50 Millimeter
Clamping method External clamping	manufacturer product line Hainbuch		

Clamping head SK65 D=51,00mm

Product ID : 11007896

Previous product ID : 900465.5100

Clamping device size SK65	manufacturer product line SPANNTOP nova chuck	Clamping type grooved	Nominal diameter (mm) 51 Millimeter
Clamping method External clamping	manufacturer product line Hainbuch		

Clamping head SK65 D=52,00mm

Product ID : 10117777

Previous product ID : 900465.5200

Clamping device size SK65	manufacturer product line SPANNTOP nova chuck	Clamping type grooved	Nominal diameter (mm) 52 Millimeter
Clamping method External clamping	manufacturer product line Hainbuch		

HAINBUCH Clamping elements

Clamping head

Product ID : 10471355

Previous product ID : 900465.1850

Clamping device size SK65	manufacturer product line SPANNTOP nova chuck	Clamping type grooved	Nominal diameter (mm) 18.5 Millimeter
Clamping method External clamping	manufacturer product line Hainbuch		

Other accessories

Base element

Product ID : 10489742

Previous product ID : 900452.8001

Socket head screw

Product ID : 11051534

Previous product ID : 410260.0885
