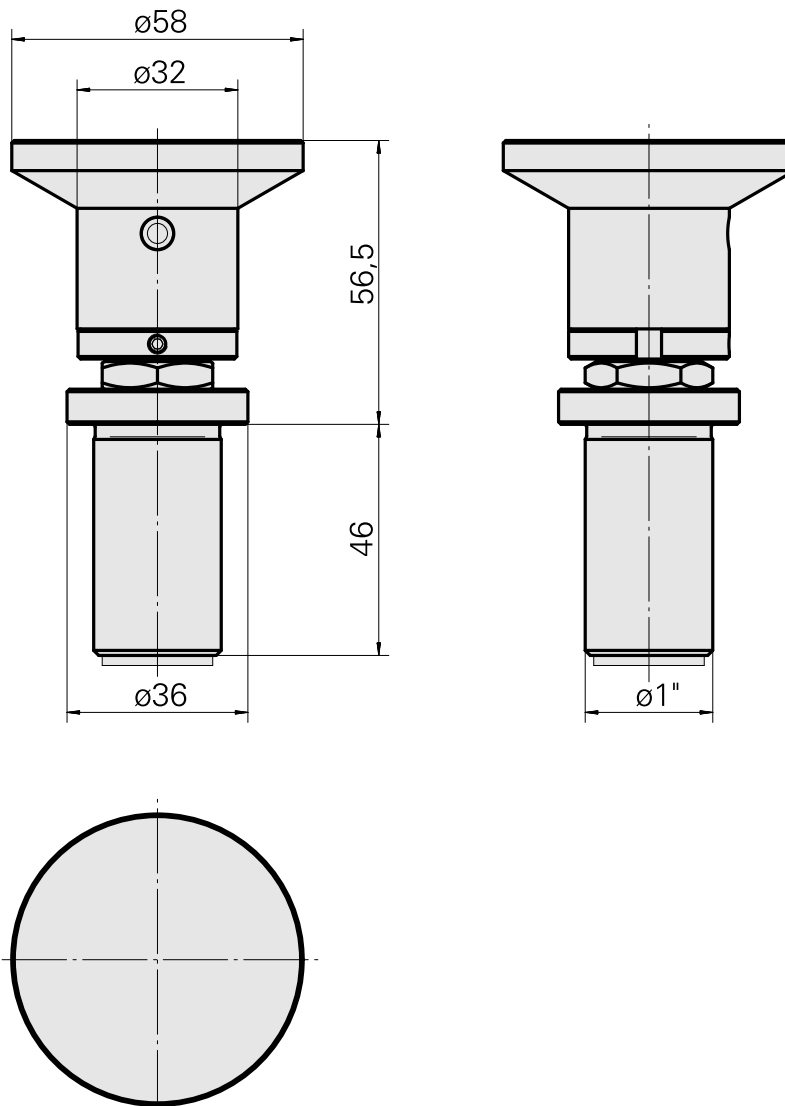
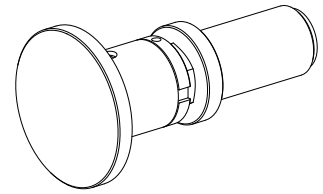


## Bar stop 1", adjustable, live

### Technical data

Shank VDI	1"
Drive	not live
Fixation VDI	none
X [mm]	58 - 94 (2.28" - 3.70")
Y [mm]	-
Z [mm]	-
INDEX TRAUB products	MS32C • MS52C • V100 • V200 • A200-6 • MS32-6.2 • MS40-6 • MS40-8 • V160C • V160G • V300



## **Documents**

No downloads available for this product