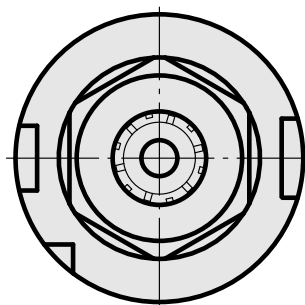
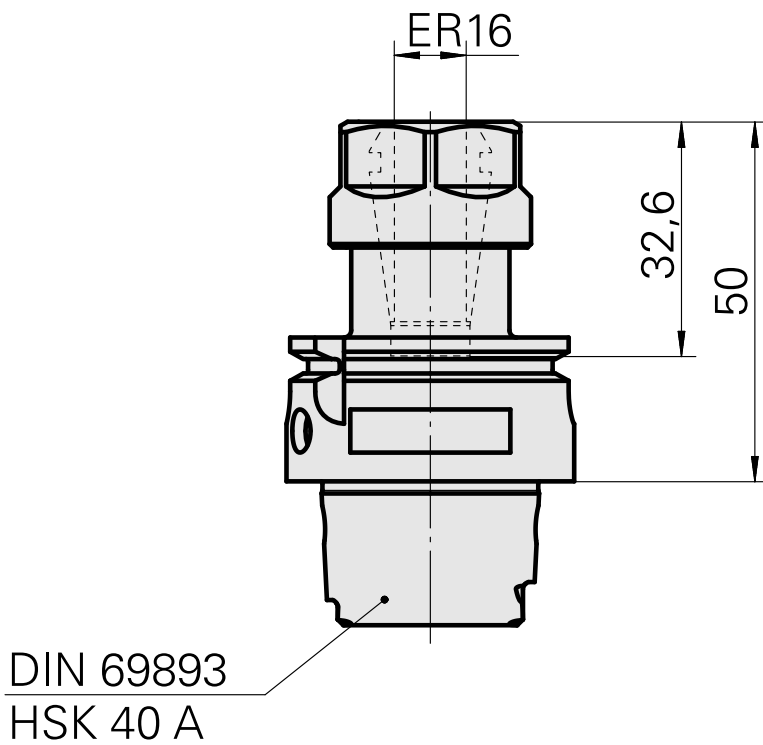
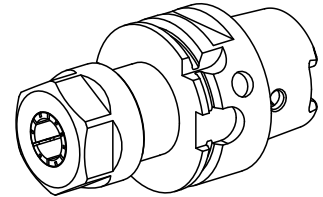


## Drilling tool holder HSK 40 A ER16

### Technical data

<b>Shank HSK</b>	HSK 40
<b>Form HSK</b>	A
<b>Mounting</b>	ER16
<b>Cooling</b>	internal
<b>Pressure</b>	80 bar
<b>X [mm]</b>	50 (1.97")
<b>INDEX TRAUB products</b>	G160 • G200.2 • G220 • R200 • TNX65/42 • G220.3 • TNX220.3



## Documents

No downloads available for this product

## Accessories

Required for operation

### [Spanner](#)

Product ID : 10966369

Previous product ID : 490219.0161

TH accessories category Tool	Mounting ER16	Collet type ER 16	Clamping nut type Female thread
Tools for Collet chucks Clamping nut wrench			

### [Socket wrench](#)

Product ID : 10532354

Previous product ID : WS7400.0010

TH accessories category Tool for KSS adapter	Mounting HSK 40 A/C
---	------------------------

## Optional accessories

### Tool holder accessories

### [Clamping nut](#)

Product ID : 10378189

Previous product ID : 901939.01

TH accessories category Clamping nut	Mounting ER16	Collet type ER 16	Clamping nut type Female thread
---	------------------	----------------------	------------------------------------

---

### [Coolant adapter kit](#)

Product ID : 10581780  
Previous product ID : WS7400.0020

TH accessories category	Mounting HSK 40 A/C
Cooling lubricant transfer set	

### [Coolant supply, max. 120 bar](#)

Product ID : 12024083  
Previous product ID :

TH accessories category	Mounting HSK 40 A/C
Cooling lubricant transfer set	

### **Other accessories**

#### [Clamping collet](#)

Product ID : 10834596  
Previous product ID : 901930.1---

---

#### [Clamping collet, sealed](#)

Product ID : 10433061  
Previous product ID : W999083-

---

#### [tapping tool collet ET-1-16](#)

Product ID : 10542491  
Previous product ID : 3230--

---

#### [tapping tool collet](#)

Product ID : 10865233  
Previous product ID : WZ9990.9506F

---

#### [Collet chuck](#)

Product ID : 10870393  
Previous product ID : W999065-

---