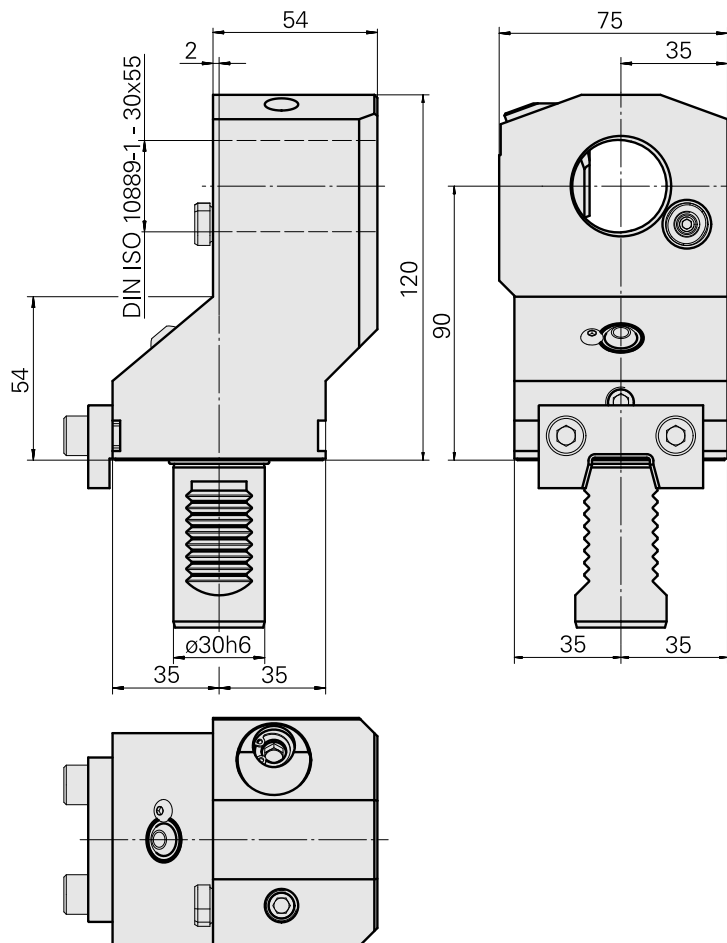
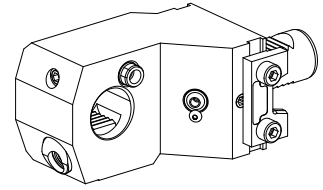


Compensation holder

Technical data

Shank VDI	VDI 30
Drive	not live
Fixation VDI	Vee bar
Cooling	external
Pressure	20 bar
Mounting	VDI 30
reversible 180°	yes
Data carrier	check tool station bore
X [mm]	90 (3.54")
Y [mm]	-
Z [mm]	2 (0.08)
INDEX TRAUB products	G160 • G300 • G250



Documents

No downloads available for this product

Accessories

Optional accessories

Other accessories

[SPRAY NOZZLE 14D/M6](#)

Product ID : 10358770

Previous product ID : 474550.0121

[Lens head screw](#)

Product ID : 10344546

Previous product ID : 410243.0406

[Setting gauge](#)

Product ID : 10677697

Previous product ID : W68220.4150

[Stop bar](#)

Product ID : 10713062

Previous product ID : W68220.4104

[Clamping bar](#)

Product ID : 10967524

Previous product ID : W68220.4106

[ZI_SCREW 8X16](#)

Product ID : 10360891

Previous product ID : 410260.0816

10854854
W1330000

INDEX

Not defined

Product ID : 10952854

Previous product ID : WL3300.9130F
