

WFB 20-12 ER25, with mini clamping nut

Technical data

TH accessories category

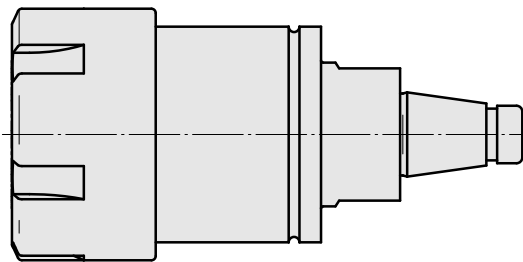
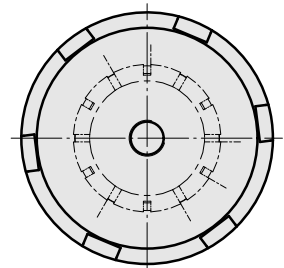
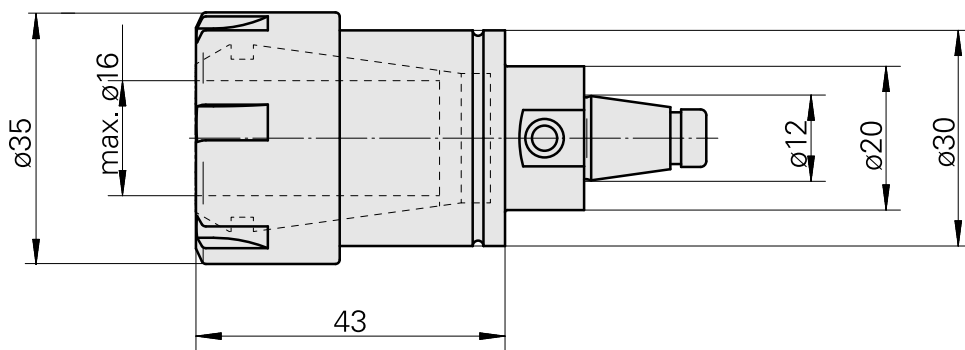
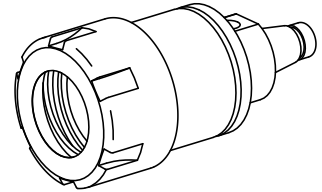
WFB 20-12

Mounting

ER25

Quick change inserts

collet mounting



Documents

No downloads available for this product

Accessories

Required for operation

[Spanner](#)

Product ID : 10408249

Previous product ID : 490219.2251

TH accessories category Tool	Mounting ER25	Collet type ER 25	Clamping nut type Female thread diameter reduced
Tools for Collet chucks Clamping nut wrench			

Optional accessories

Tool holder accessories

[Clamping nut](#)

Product ID : 10861535

Previous product ID : 901939.2251

TH accessories category Clamping nut	Mounting ER25	Collet type ER 25	Clamping nut type Female thread diameter reduced
---	------------------	----------------------	---

Other accessories

[Clamping collet](#)

Product ID : 10206464

Previous product ID : 901930.3---

[tapping tool collet ET-1-25](#)

Product ID : 10191234

Previous product ID : 3224--

10853598
W9990579

INDEX

[tapping tool collet](#)

Product ID : 10256515
Previous product ID : WZ9990.9507F

[Collet chuck](#)

Product ID : 10029756
Previous product ID : W999067-

[Clamping collet, sealed](#)

Product ID : 10698406
Previous product ID : W999085-
