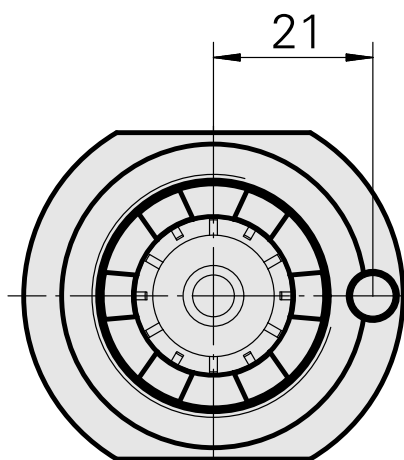
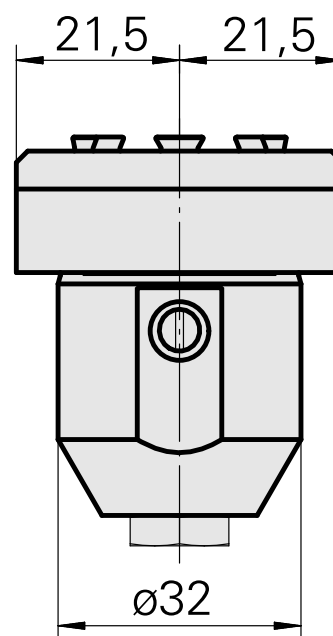
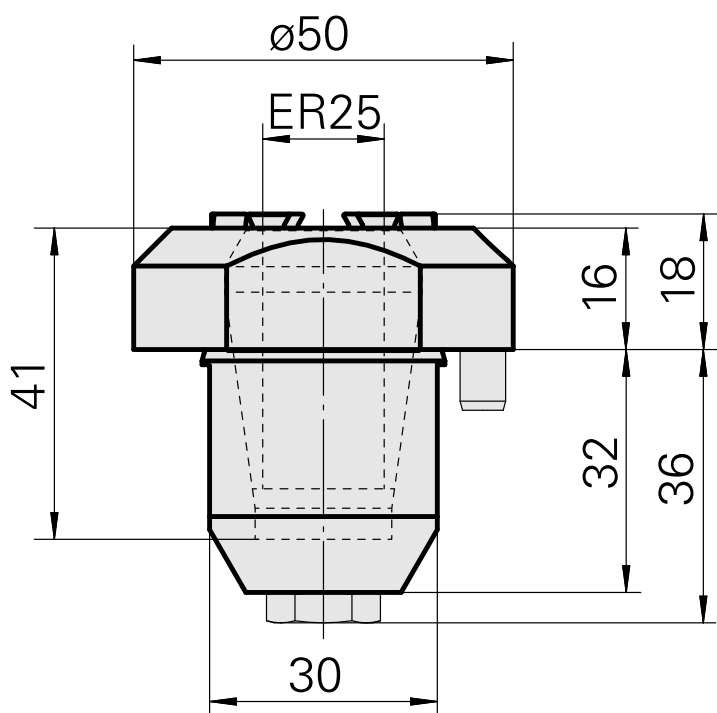
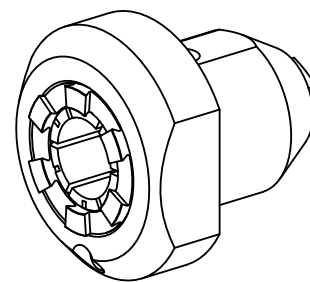


Drill holding block ER25

Technical data

Azionamento	non azionato
Fissaggio MS	Gambo D32
Attacco	ER25
X [mm]	16
Y [mm]	-
Z [mm]	-
Prodotti INDEX TRAUB	MS52C • MS52-6.3



Documents

No downloads available for this product

Accessories

Required for operation

[Chiave](#)

Product ID : 10179444

Previous product ID : 490219.3251

Categoria acces. portautensile Attrezzo per pinze di serrag.	Attacco ER25	Tipo pinza di serraggio ER 25	Tipo dado di serraggio Filettatura esterna
Strumento per pinze Chiave dado di serraggio			

Optional accessories

Tool holder accessories

[Clamping nut](#)

Product ID : 10630063

Previous product ID : 901939.5251

TH accessories category Clamping nut	Mounting ER25	Collet type ER 25	Clamping nut type Male thread
--	------------------	----------------------	----------------------------------

Other accessories

[Clamping collet](#)

Product ID : 10206464

Previous product ID : 901930.3---

[tapping tool collet ET-1-25](#)

Product ID : 10191234

Previous product ID : 3224--

10844136
W9990297

INDEX

[tapping tool collet](#)

Product ID : 10256515
Previous product ID : WZ9990.9507F

[Collet chuck](#)

Product ID : 10029756
Previous product ID : W999067-

[Clamping collet, sealed](#)

Product ID : 10698406
Previous product ID : W999085-
