

Blanking plug Circular prism

Technical data

Shank TNL

Drive

Fixation TNL

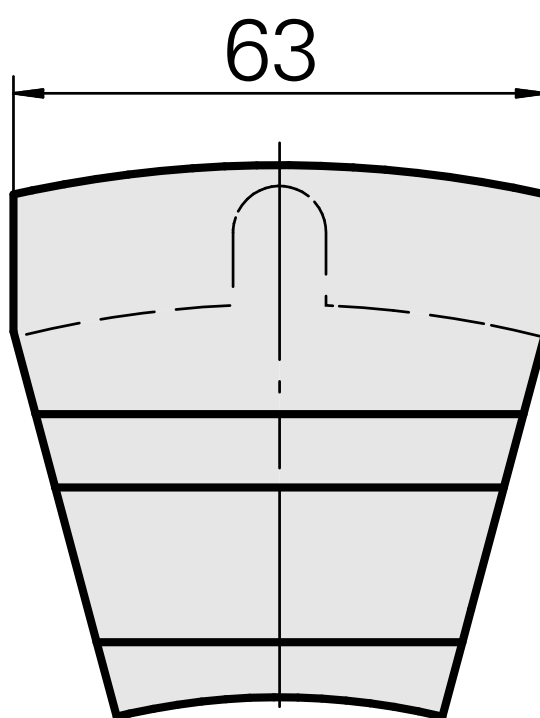
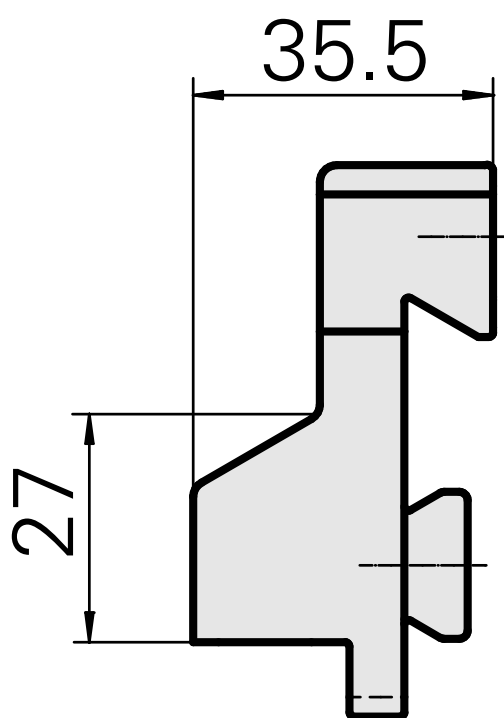
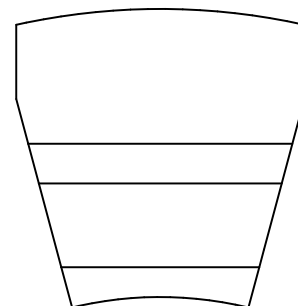
INDEX TRAUB products

Circular prism

not live

Central tensioning screw

TNK36 • TNL26



10829277
985571

INDEX

Documents

No downloads available for this product