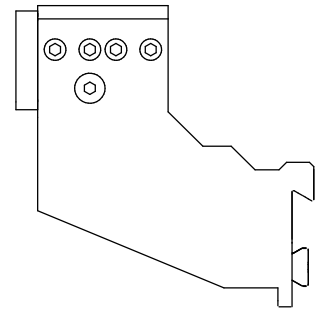


Drilling tool holder Circular prism D16

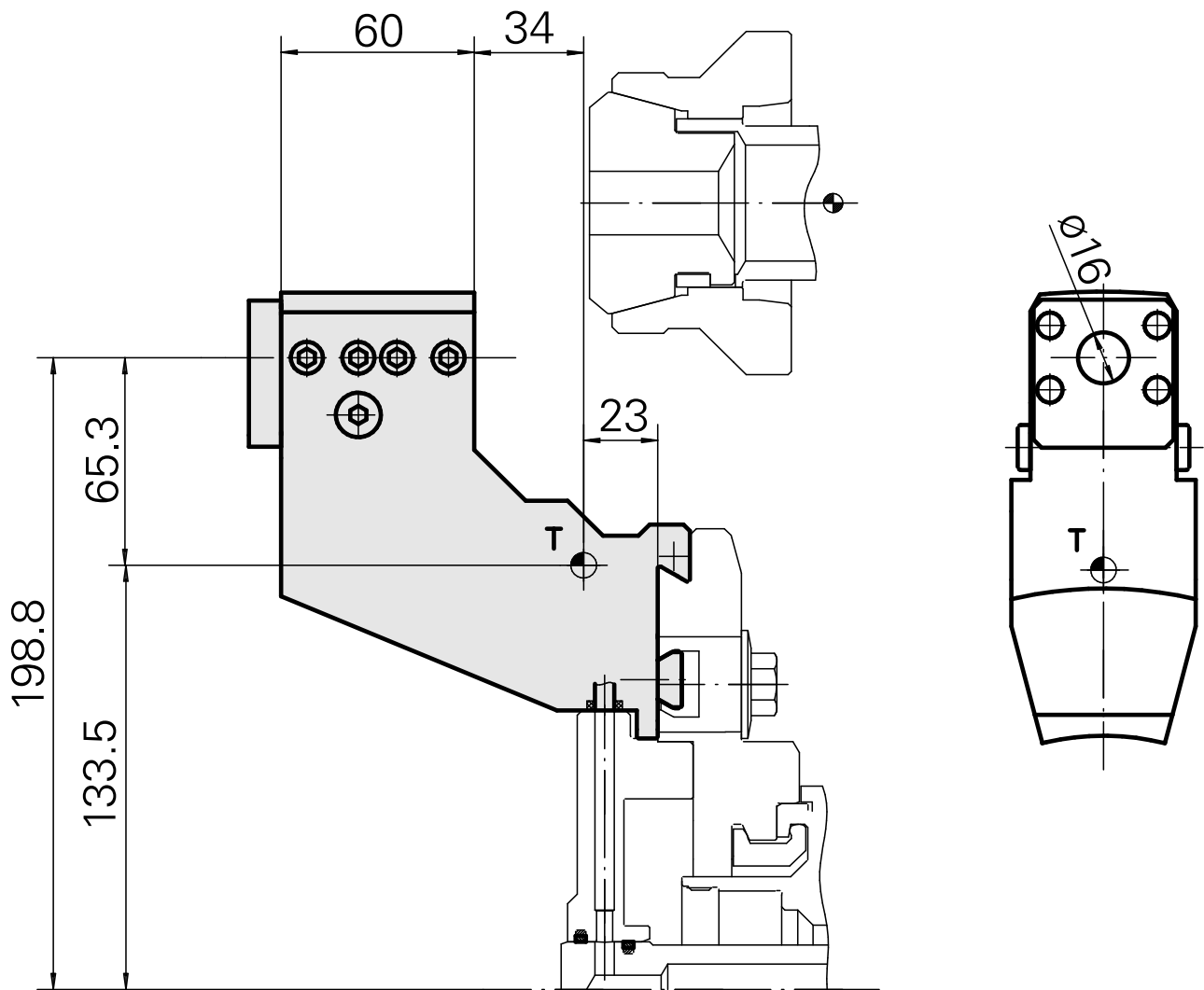
Technical data

| | |
|-----------------------------|--------------------------|
| Shank TNL | Circular prism |
| Drive | not live |
| Fixation TNL | Central tensioning screw |
| Cooling | external |
| Pressure | 30 bar |
| Mounting | D16 |
| INDEX TRAUB products | TNK36 • TNL26 |



Note

A collision check must be carried out before use!



Documents

No downloads available for this product

Accessories

Optional accessories

Other accessories

[Mounting sleeve with collar D16](#)

Product ID : 10914323

Previous product ID : W67511.04--
