

Presetting device SK50/INDEX CAPTO C3

Technical data

TH accessories category

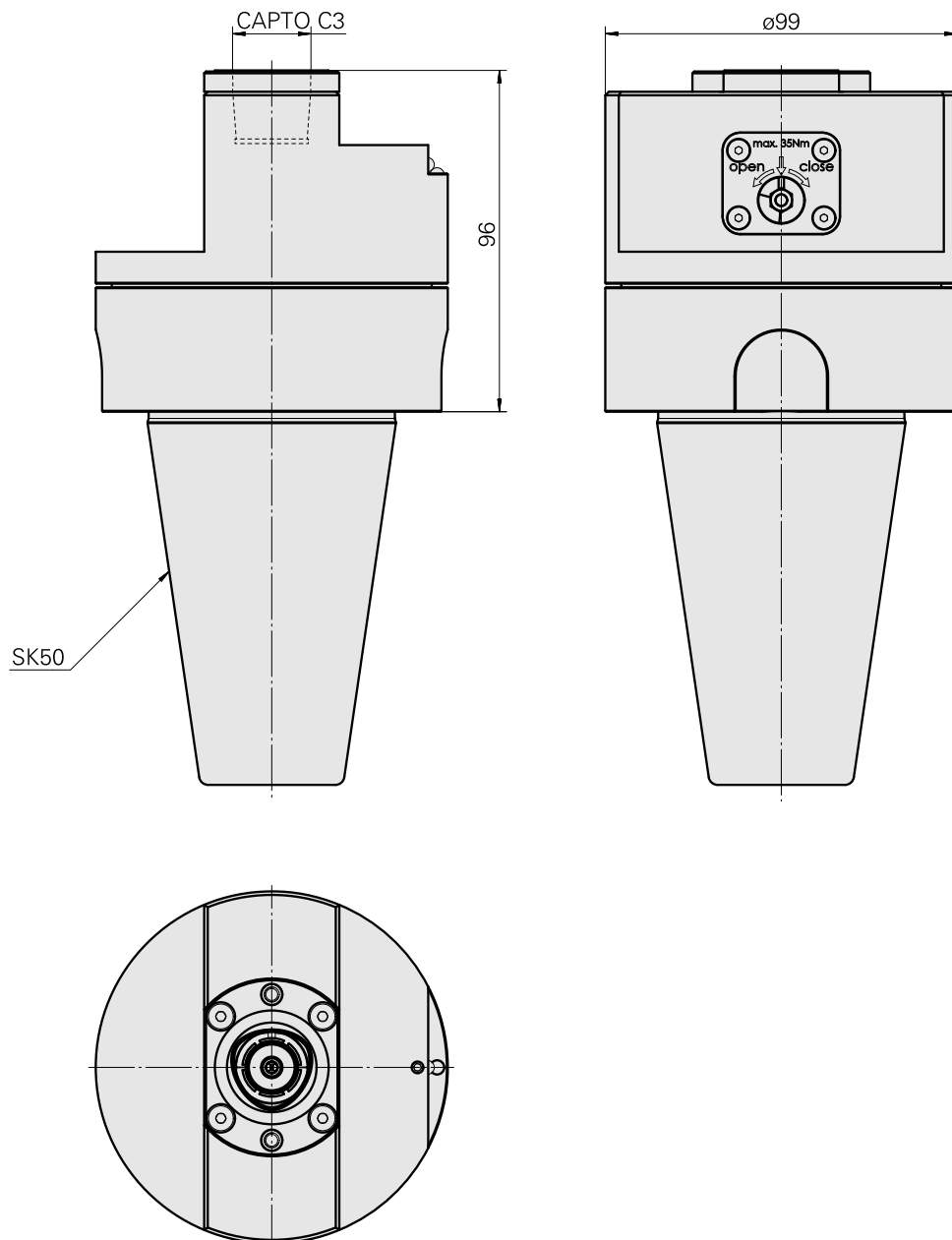
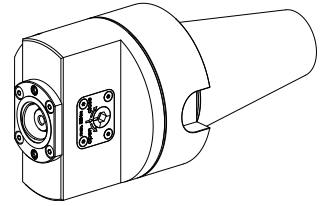
Adapter for presetting units

Mounting

SK50

Tool mounting

CAPTO C3



Documents

No downloads available for this product