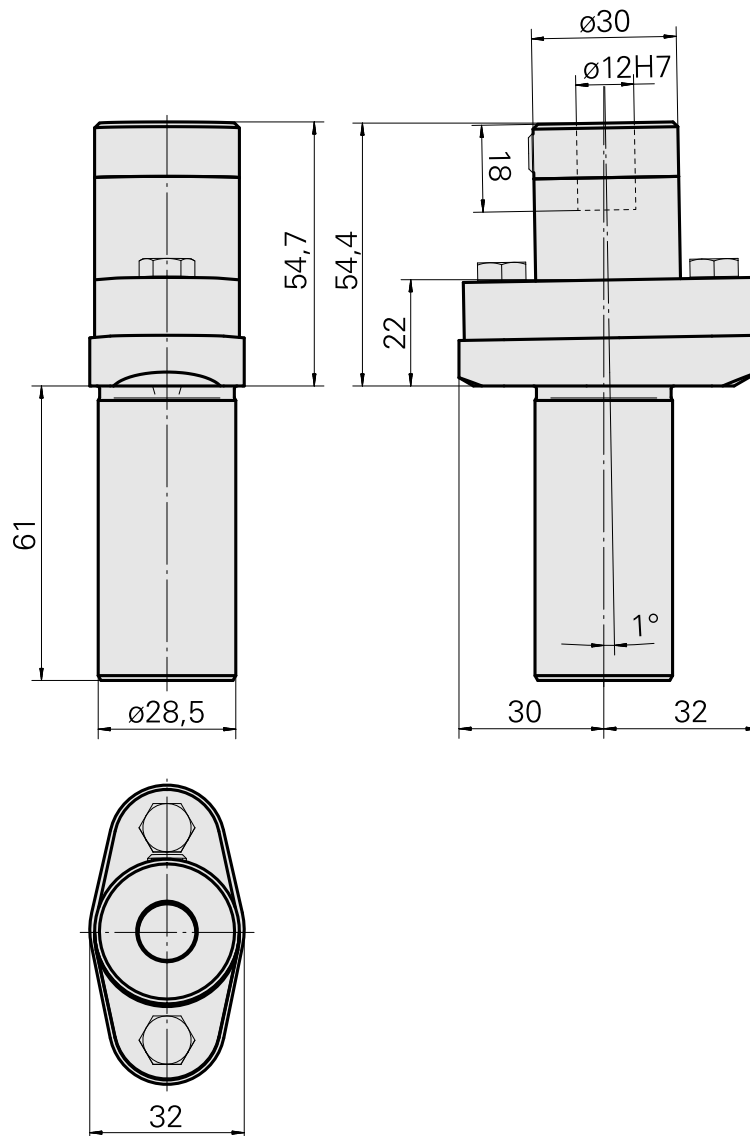
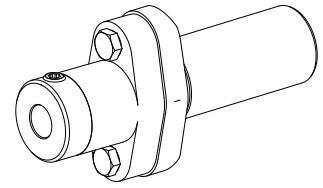


Broachholder D12

Technical data

| | |
|----------------------|---|
| Drive | not live |
| Fixation MS | Clamping ring D28.5 |
| Mounting | D12 |
| X [mm] | 54 (2.13") |
| Y [mm] | - |
| Z [mm] | - |
| INDEX TRAUB products | A100 • MS16-6 • MS22-6 • MS22-8 • MS24-6 • MS16-6 Plus |



Documents

Product notes

[DE \(pdf\)](#)

[EN \(pdf\)](#)

[FR \(pdf\)](#)

Accessories

Optional accessories

Other accessories

[Slotting tool for hexagon socket](#)

Product ID : 10155732

Previous product ID : W37606.----

[Mandrel](#)

Product ID : 10727998

Previous product ID : W37604.----

[Mandrel](#)

Product ID : 12164626

Previous product ID :
