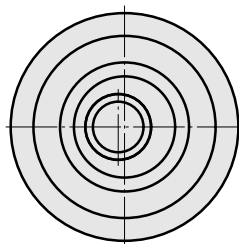
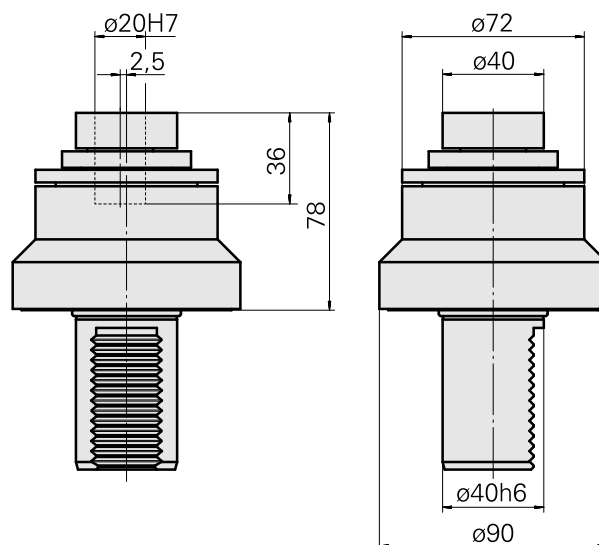


## Reaming tool holder VDI 40 D20 (0.79 "), adjustable

### Technical data

<b>Shank VDI</b>	VDI 40
<b>Drive</b>	not live
<b>Fixation VDI</b>	none
<b>Cooling</b>	internal
<b>Pressure</b>	40 bar
<b>Mounting</b>	D20
<b>reversible 180°</b>	no
<b>X [mm]</b>	78 (3.07")
<b>Y [mm]</b>	–
<b>Z [mm]</b>	–
<b>Tool turret type</b>	Radial turret • Disk-type turret
<b>INDEX TRAUB products</b>	G160 • G300 • G400 • V200 • C200 • G220 • G250 • V160C • V160G • V300 • TNA400 • B400 • B500 • TNA500.2 • TNA400.2 • TNA400.3 • B400.3 • B500.3 • TNA500.3



## **Documents**

No downloads available for this product

## **Accessories**

Optional accessories

**Other accessories**

[Clamping sleeve D20](#)

Product ID : 10224403

Previous product ID : 993120.----

---