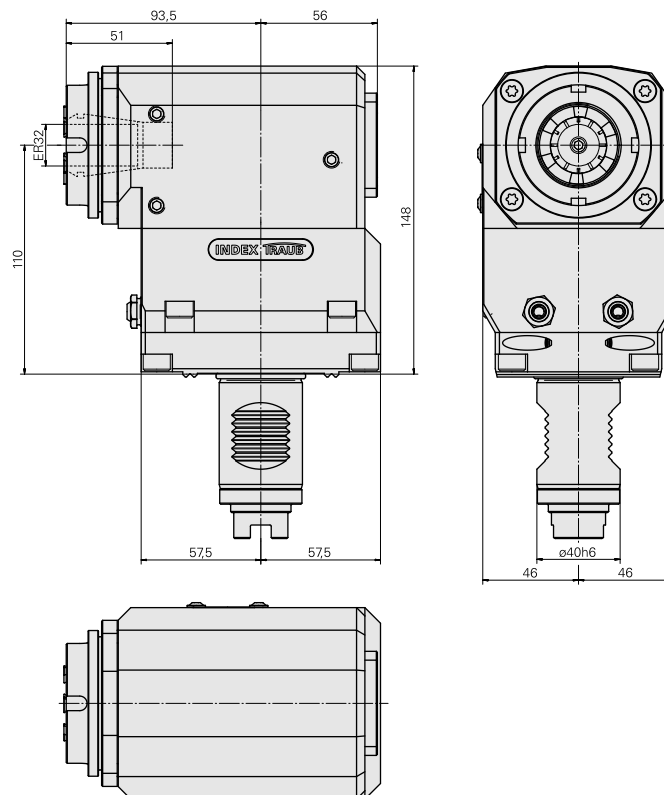
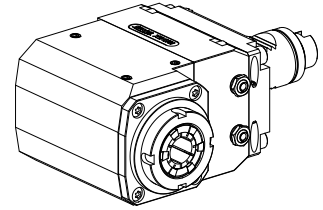


## Milling unit VDI 40 2:1 ER32

### Technical data

<b>Shank VDI</b>	VDI 40
<b>Drive</b>	Dog clutch
<b>Fixation VDI</b>	W serration
<b>Speed ratio</b>	2:1
<b>Cooling</b>	external, internal optional
<b>Pressure</b>	80 bar
<b>Mounting</b>	ER32
<b>reversible 180°</b>	yes
<b>Direction</b>	same as drive direction
<b>X [mm]</b>	110 (4.33")
<b>Y [mm]</b>	—
<b>Z [mm]</b>	93.5 (3.68)
<b>INDEX TRAUB products</b>	G250 • B400 • B500 • TNA500.2 • TNA400.2 • G420 • G400.2 • G500 • G520 • G300.2 • G320.2 • B400.3 • TNA400.3 • B500.3 • TNA500.3



---

## Documents

### Product notes

[DE \(pdf\)](#)

[EN \(pdf\)](#)

[FR \(pdf\)](#)

[PT \(pdf\)](#)

## Accessories

Required for operation

### [Spanner](#)

Product ID : 10174063

Previous product ID : 325767

TH accessories category Tool	Mounting ER32	Collet type ER 32	Clamping nut type Male thread
Tools for Collet chucks Clamping nut wrench			

### [Hook wrench](#)

Product ID : 10567017

Previous product ID : 490340.0590

TH accessories category Tool	Clamping nut type Outside diameter 55-62 mm	Tools for Collet chucks Hook wrench
---------------------------------	---	--

Optional accessories

### Tool holder accessories

### [Coolant Supply, internal 160 bar](#)

Product ID : 10236572

Previous product ID : W9990284

---

---

### [Coolant Supply, internal 80 bar](#)

Product ID : 10687215  
Previous product ID : W9990290

---

### [Clamping nut](#)

Product ID : 10322936  
Previous product ID : 325950

TH accessories category Clamping nut	Mounting ER32	Collet type ER 32	Clamping nut type Male thread
---	------------------	----------------------	----------------------------------

### **Other accessories**

### [Clamping collet](#)

Product ID : 10187712  
Previous product ID : 901930.6---

---

### [tapping tool collet ET-1-32](#)

Product ID : 10640099  
Previous product ID : 3242--

---

### [tapping tool collet](#)

Product ID : 10601144  
Previous product ID : WZ9990.9509F

---

### [Collet chuck](#)

Product ID : 10659178  
Previous product ID : W999068-

---

### [HOLLOW SCREW M14x1 M14x1](#)

Product ID : 10105238  
Previous product ID : W67530.0818

---

### [BUSHING 10 D x 6 D x 12,5](#)

Product ID : 10670360  
Previous product ID : W67530.0824

---

---

[Coolant Nozzle](#)

Product ID : 11031912  
Previous product ID : W67500.3208

---

[Nozzle M6 mit D1,6](#)

Product ID : 10147428  
Previous product ID : W00019.0216

---

[Sealing kit](#)

Product ID : 12181693  
Previous product ID :

---

[Blanking plug MIT O-RING 479105.1200](#)

Product ID : 10988240  
Previous product ID : W68540.2014

---