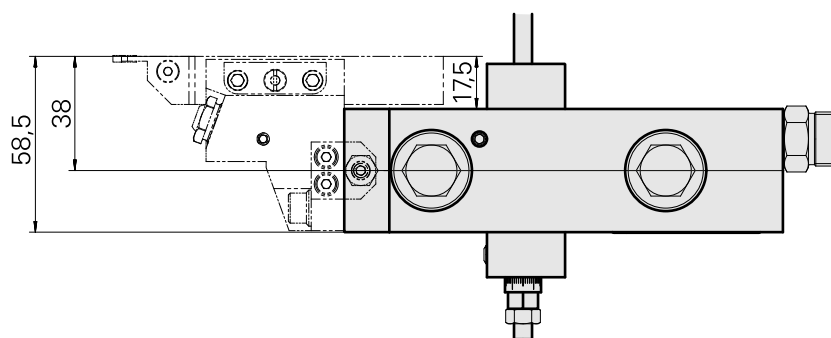
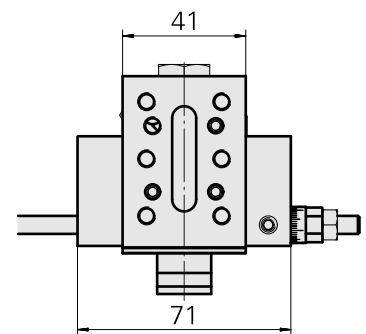
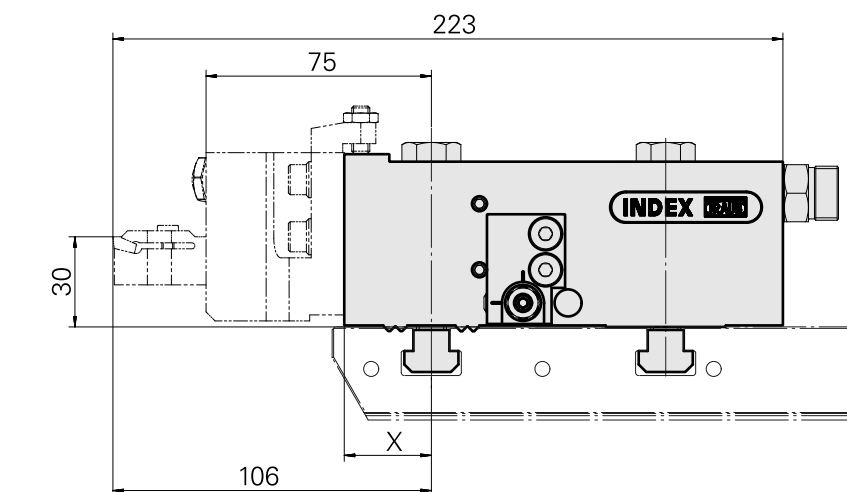
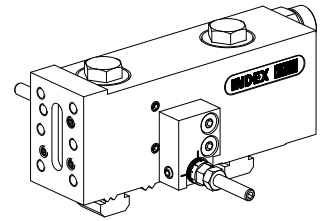


## Basic holder MS16 grooving slide

### Technical data

Slide system MS	MS16 grooving slide
Drive	not live
Fixation MS	W serration
Cooling	external
Pressure	80 bar
X [mm]	29 (1.14")
Y [mm]	–
Z [mm]	–
INDEX TRAUB products	MS16-6 • MS16-6 Plus



X	29
---	----

## Documents

No downloads available for this product

## Accessories

### Optional accessories

#### MS tool holders

#### [Grooving tool holding block Square 16x16, adjustable in Y direction](#)

Product ID : 10320028

Previous product ID : W9990722

Drive not live	Cooling external	Pressure 80 bar	Direction left-handed run
Mounting Square 16x16	X [mm] 46 (1.81")	Y [mm] -	Z [mm] 22 (0.87)
INDEX TRAUB products MS16-6 • MS16-6 Plus			

#### [Grooving tool holding block Square 16x16, adjustable in Y direction](#)

Product ID : 10600943

Previous product ID : W9990723

Drive not live	Cooling external	Pressure 80 bar	Direction right-handed run
Mounting Square 16x16	X [mm] 46 (1.81")	Y [mm] -	Z [mm] 22 (0.87)
INDEX TRAUB products MS16-6 • MS16-6 Plus			

#### Other accessories

#### [EX.SOC.PLUG/4Z-908 VSTI R 1/4-ED](#)

Product ID : 10886676

Previous product ID : 410773.0025

10759672  
W5190200

**INDEX**

---

Stop Feineinstellung; groß

Product ID : 10823911

Previous product ID : W9990754

---