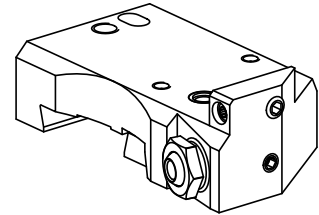


## Grooving tool holding block Trapezoid 26

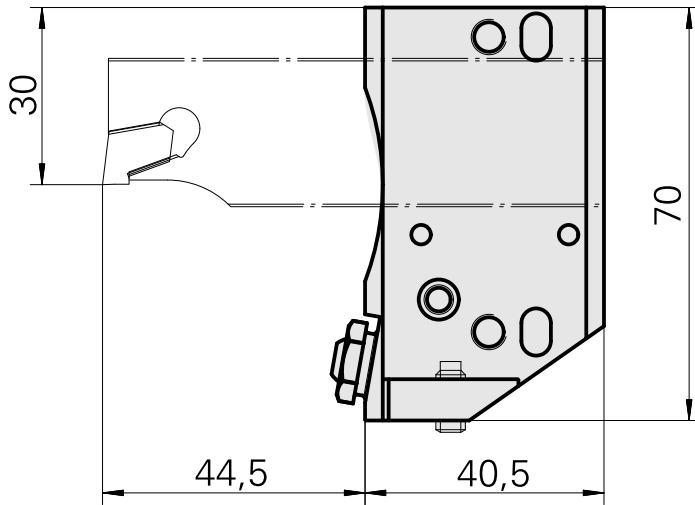
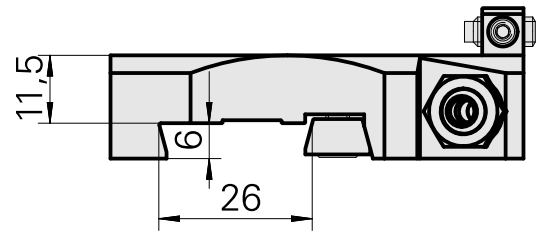
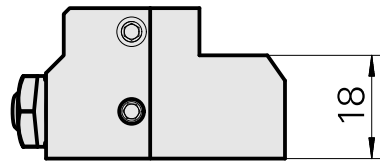
### Technical data

<b>Drive</b>	not live
<b>Cooling</b>	external
<b>Pressure</b>	80 bar
<b>Direction</b>	right-handed run
<b>Mounting</b>	Trapezoid 26x5
<b>X [mm]</b>	40.5 (1.59")
<b>Y [mm]</b>	–
<b>Z [mm]</b>	11.5 (0.45)
<b>INDEX TRAUB products</b>	MS16-6 • MS16-6 Plus



### Note

Specially for left cutoff blades!



---

## Documents

No downloads available for this product

## Accessories

Optional accessories

### Other accessories

#### [Bush 4x8x12](#)

Product ID : 10831938

Previous product ID : W02010.0002

---

#### [Hollow screw M12x1](#)

Product ID : 10757766

Previous product ID : W02013.0001

---

#### [Ball nozzle D8xM5](#)

Product ID : 10392450

Previous product ID : W02019.0002

---

#### [Nozzle Kugel-D8](#)

Product ID : 10007891

Previous product ID : 904837

---

#### [Stop plate](#)

Product ID : 10113552

Previous product ID : W9990974

---