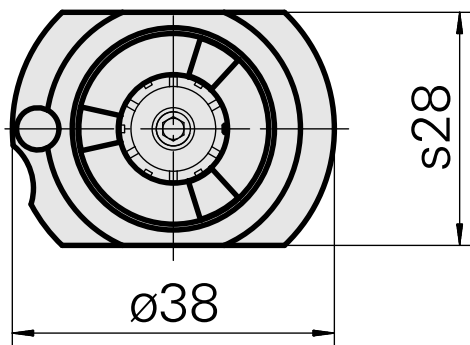
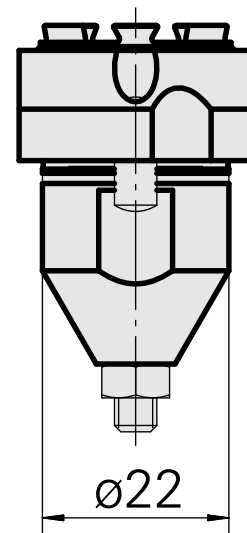
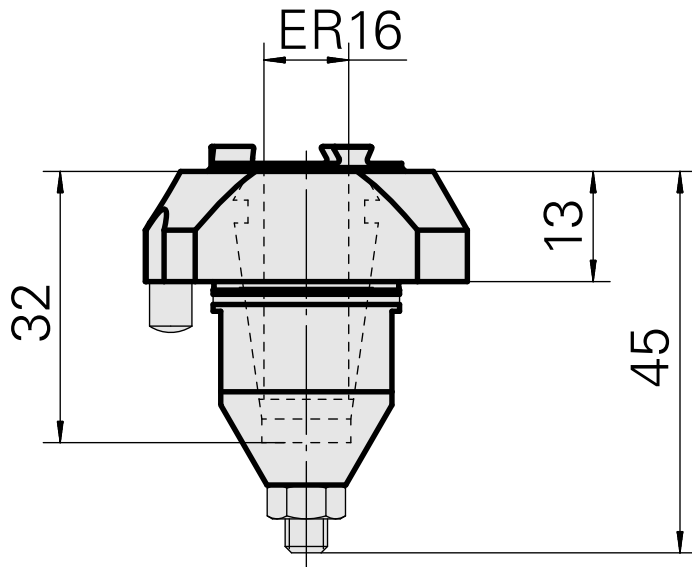
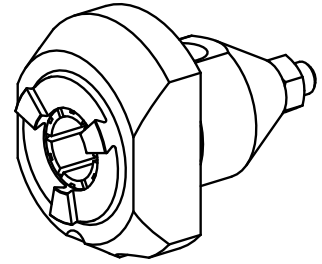


## Drill holding block ER16, sealed

### Technical data

Drive	not live
Fixation MS	Shank D22
Mounting	ER16
X [mm]	13 (0.51")
Y [mm]	-
Z [mm]	-
INDEX TRAUB products	MS22-6 • MS22-8 • MS32-6.2 • MS40-6 • MS32C • MS32-6.3 • MS24-6



## Documents

No downloads available for this product

## Accessories

Required for operation

### [Clamping nut, for internal cooling lubricant supply](#)

Product ID : 10546850

Previous product ID : 326691

TH accessories category Clamping nut	Mounting ER16	Collet type ER 16	Clamping nut type Male thread
---	------------------	----------------------	----------------------------------

### Optional accessories

#### Tool holder accessories

### [Clamping nut](#)

Product ID : 10911008

Previous product ID : 901939.5161

TH accessories category Clamping nut	Mounting ER16	Collet type ER 16	Clamping nut type Male thread
---	------------------	----------------------	----------------------------------

### [Spanner](#)

Product ID : 11006246

Previous product ID : 490219.3161

TH accessories category Tool	Mounting ER16	Collet type ER 16	Clamping nut type Male thread
Tools for Collet chucks Clamping nut wrench			

#### Other accessories

---

[Clamping collet](#)

Product ID : 10834596  
Previous product ID : 901930.1---

---

[Clamping collet](#)

Product ID : 10589709  
Previous product ID : W99903--

---

[tapping tool collet ET-1-16](#)

Product ID : 10542491  
Previous product ID : 3230--

---

[tapping tool collet](#)

Product ID : 10865233  
Previous product ID : WZ9990.9506F

---

[Collet chuck](#)

Product ID : 10870393  
Previous product ID : W999065-

---

[Clamping collet, sealed](#)

Product ID : 10433061  
Previous product ID : W999083-

---

[Sealing washer](#)

Product ID : 10324863  
Previous product ID : W999036-

---