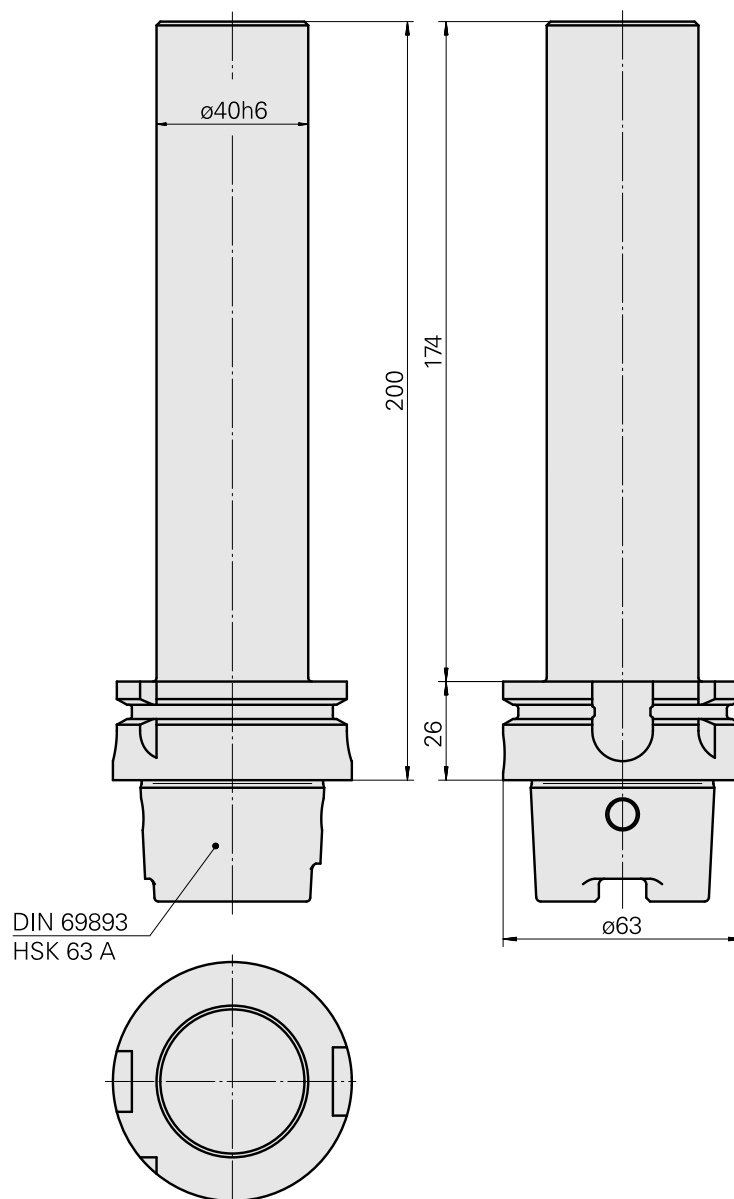
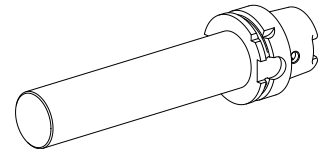


## Calibrating tool HSK 63 A

### Technical data

Shank HSK	HSK 63
Form HSK	A
Pressure	40 bar
X [mm]	200 (7.87")
INDEX TRAUB products	G400 • R300 • G420 • G520 • G320.2 • G220.3 • TNX220.3 • G320.3 compact • G220 • G220.2



## **Documents**

No downloads available for this product