

Adaptor SK50/VDI30

Technical data

TH accessories category

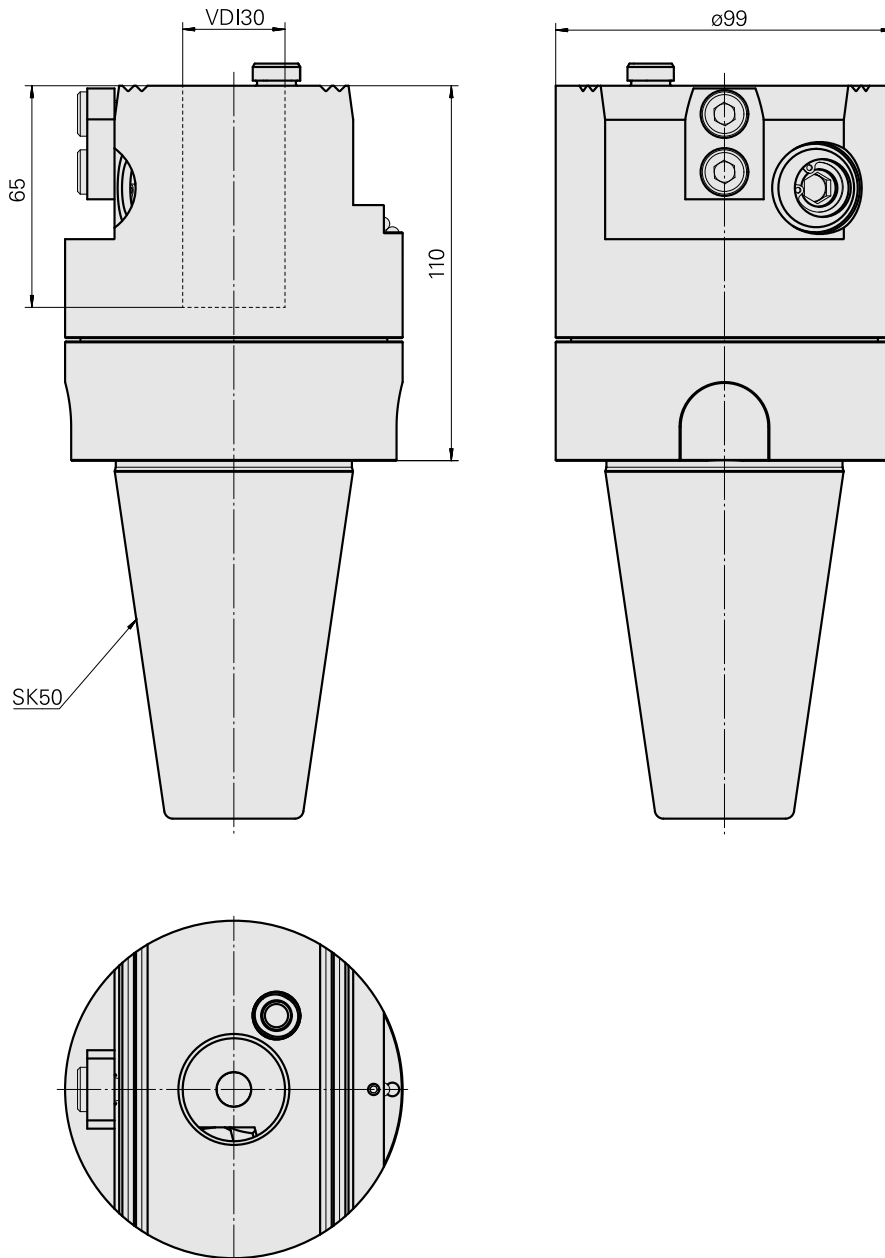
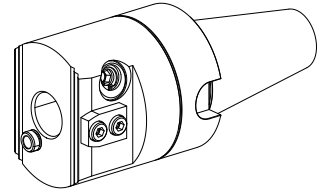
Adapter for presetting units

Mounting

SK50

Tool mounting

VDI 30



Documents

No downloads available for this product