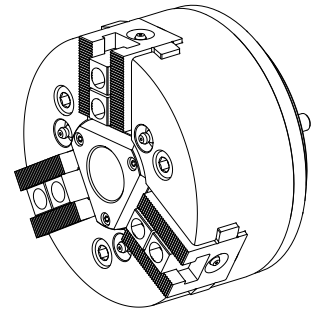


## 3-jaw chuck

### Technical data

<b>INDEX TRAUB products</b>	G200
<b>Spindle clearance</b>	32mm
<b>Machining side</b>	Main spindle • Counter spindle
<b>manufacturer product line</b>	KFD-HE 160-32
<b>Spindle mounting</b>	AP140
<b>manufacturer product line</b>	Roehm



No 3-side view is currently available for this product

---

## Documents

No downloads available for this product

## Accessories

### Optional accessories

#### O-Rings

##### [Gasket ring](#)

Product ID : 10633169

Previous product ID : 479105.6702

manufacturer product line Trelleborg	TSS material no.	Cord size 2.5 Millimeter	manufacturer product line O-ring
---	------------------	-----------------------------	-------------------------------------

##### [O-RING 50,47X2,62](#)

Product ID : 10753940

Previous product ID : 479103.0502

manufacturer product line Trelleborg	TSS material no.	Cord size 2.62 Millimeter	manufacturer product line O-ring
---	------------------	------------------------------	-------------------------------------

#### Other accessories

##### [JAW 1PIECE BxHxL](#)

Product ID : 10144601

Previous product ID : 908210.5001

---

##### [Mounting jaws BxHxL 40x56x70](#)

Product ID : 10034999

Previous product ID : 908210.5651

---

##### [Mounting jaws BxHxL 40x40x70](#)

Product ID : 10110409

Previous product ID : 908210.4051

---

---

[Mounting jaws BxHxL 40x40x82](#)

Product ID : 10690860  
Previous product ID : 908210.4052

---

[Mounting jaws BxHxL 40x76x70](#)

Product ID : 10528707  
Previous product ID : 908210.7651

---

[Mounting jaws BxHxL 40x60x90](#)

Product ID : 10943399  
Previous product ID : 908210.6051

---

[Mounting jaws BxHxL 76x48x68](#)

Product ID : 10151234  
Previous product ID : 908210.4851

---

[Adaptor M52x1,5 auf M42x1,5 mm / 74 mm](#)

Product ID : 10406397  
Previous product ID : 908127.8151

---

[Spacer M52x1,5 auf M69x1,5](#)

Product ID : 11042473  
Previous product ID : L31132.

---

[Bush 20014438 U/ZG.NR. 11714](#)

Product ID : 10548744  
Previous product ID : L31221.

---

[O-RING 71.12X 2.62](#)

Product ID : 10954290  
Previous product ID : 479103.0712

---

10694116  
908127.5201

**INDEX**

---

[Boring fixture Standard-Umfang bis Ø250mm](#)

Product ID : 10362531  
Previous product ID : W9991012

---

[Boring fixture Premium-Umfang bis Ø250mm](#)

Product ID : 10422192  
Previous product ID : W9991013

---