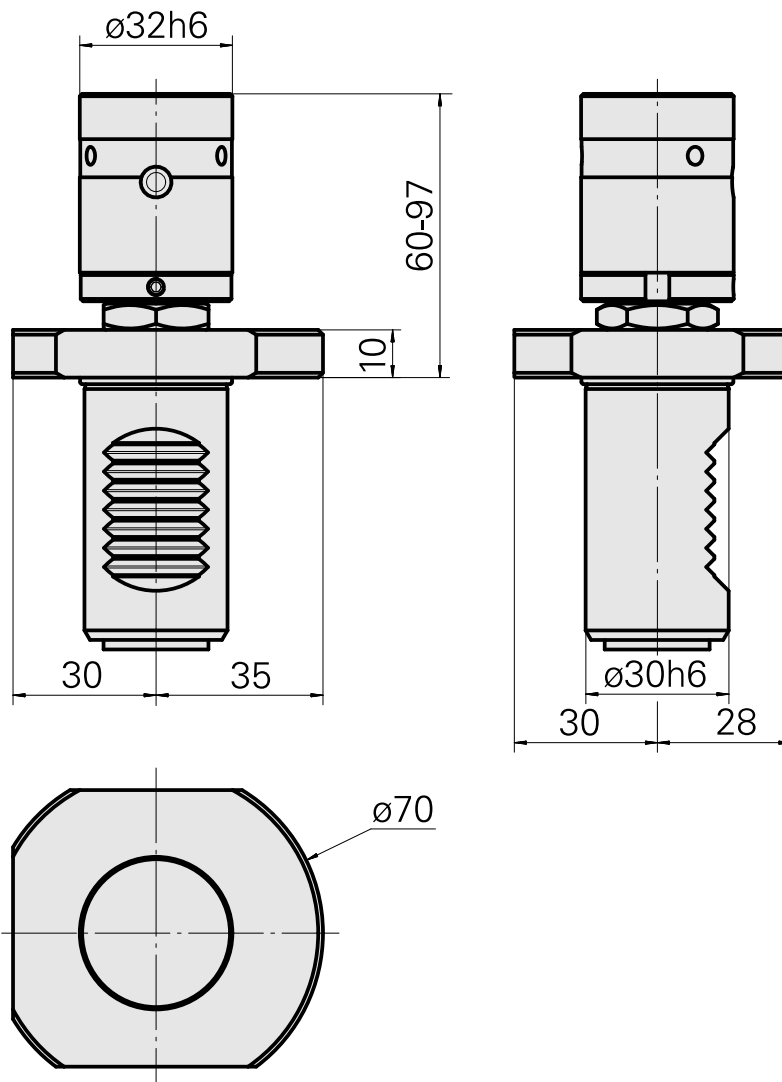


Bar stop VDI 30, adjustable, live

Technical data

Shank VDI	VDI 30
Drive	not live
Fixation VDI	none
reversible 180°	no
Data carrier	check tool station bore
X [mm]	60 - 97 (2.36" - 3.82")
Y [mm]	-
Z [mm]	-
INDEX TRAUB products	IT600 • TNA300



Documents

No downloads available for this product