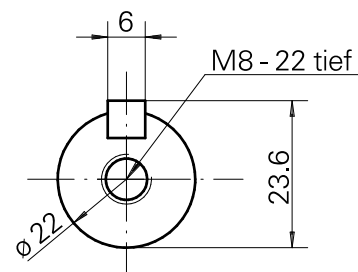
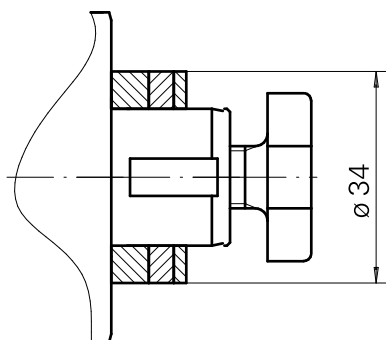
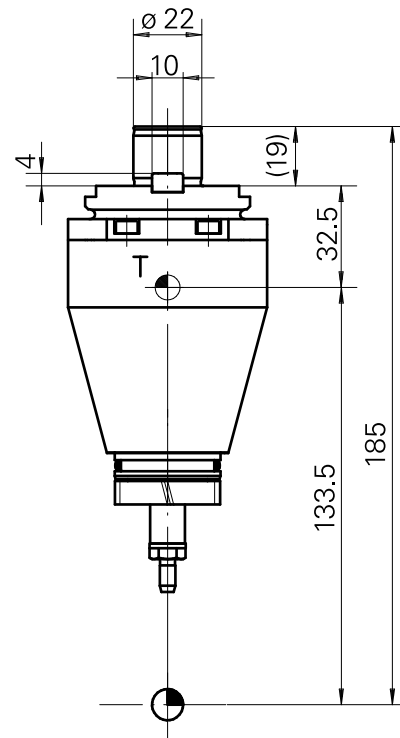
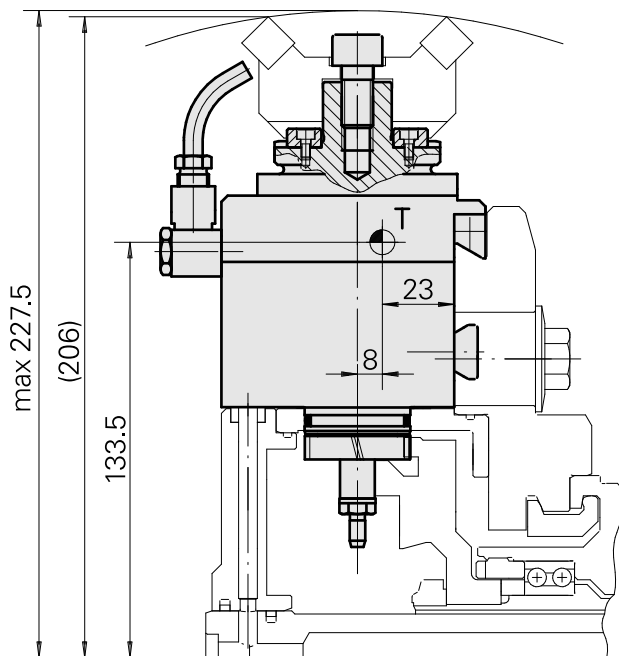
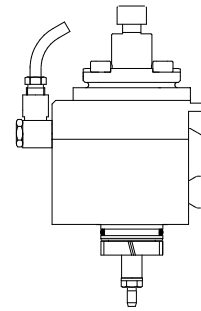


Milling unit Circular prism 2:1 Milling

Technical data

Shank TNL	Circular prism
Drive	Overall drive
Fixation TNL	Central tensioning screw
Speed ratio	2:1
Cooling	external
Pressure	30 bar
Mounting	Milling shaft D22
INDEX TRAUB products	TNK36 • TNL26



Documents

No downloads available for this product

Accessories

Optional accessories

Tool holder accessories

[Screw](#)

Product ID : 10638143

Previous product ID : 250122.1028

TH accessories
category
Cutter tightening screw

Mounting
M10

[mill arbor wrench](#)

Product ID : 10428155

Previous product ID : 203020.1220

TH accessories
category
Tool

Mounting
Milling shaft D22

Tools for Collet chucks
Mill arbor wrench

Other accessories

[Multiple swivel joint M10X1/M10X1/VOG / 506-140](#)

Product ID : 10829996

Previous product ID : 314431

[Conical ring 6D](#)

Product ID : 10057204

Previous product ID : 314739

[Cap screw 406-612](#)

Product ID : 10067675

Previous product ID : 314740

10677730
983614

INDEX

Tube 100LG

Product ID : 10929574
Previous product ID : 818617

Spanner SW 46

Product ID : 10160620
Previous product ID : 981969
