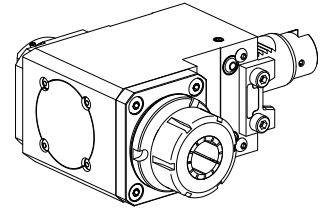


Milling unit VDI 40 2:1 ER40

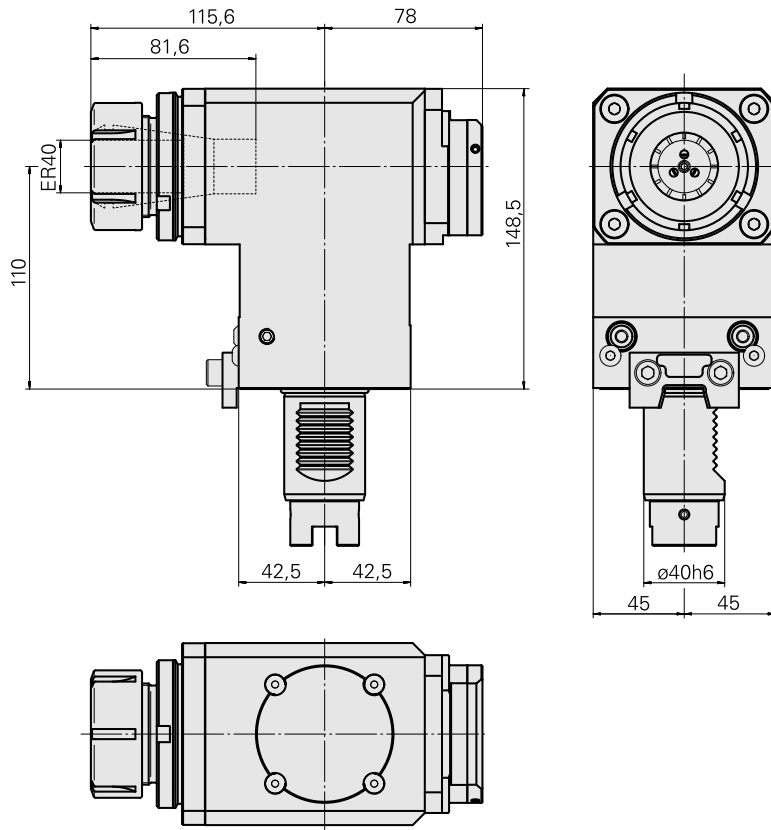
Technical data

Shank VDI	VDI 40
Drive	Dog clutch
Fixation VDI	Vee bar
Speed ratio	2:1
Cooling	external
Pressure	20 bar
Mounting	ER40
reversible 180°	no
Direction	opposite to drive direction
X [mm]	110 (4.33")
Y [mm]	–
Z [mm]	116 (4.57)
INDEX TRAUB products	G400



Note

Tool holders specially for INDEX G400! No dry-run permitted! Tool holder can be used only on the lower turret!



Documents

No downloads available for this product

Accessories

Required for operation

Spanner

Product ID : 10474438

Previous product ID : 490219.0401

TH accessories category Tool	Mounting ER40	Collet type ER 40	Clamping nut type Female thread
Tools for Collet chucks Clamping nut wrench			

Hook wrench

Product ID : 10567017

Previous product ID : 490340.0590

TH accessories category Tool	Clamping nut type Outside diameter 55-62 mm	Tools for Collet chucks Hook wrench
---------------------------------	---	--

Optional accessories

Tool holder accessories

Clamping nut

Product ID : 11029703

Previous product ID : 901939.0401

TH accessories category Clamping nut	Mounting ER40	Collet type ER 40	Clamping nut type Female thread
---	------------------	----------------------	------------------------------------

Other accessories

10675167
W1435004

INDEX

Clamping collet

Product ID : 10146045

Previous product ID : 901930.4---

Coolant supply f. W64505.2000 u.ä.

Product ID : 10351504

Previous product ID : W64505.2050
