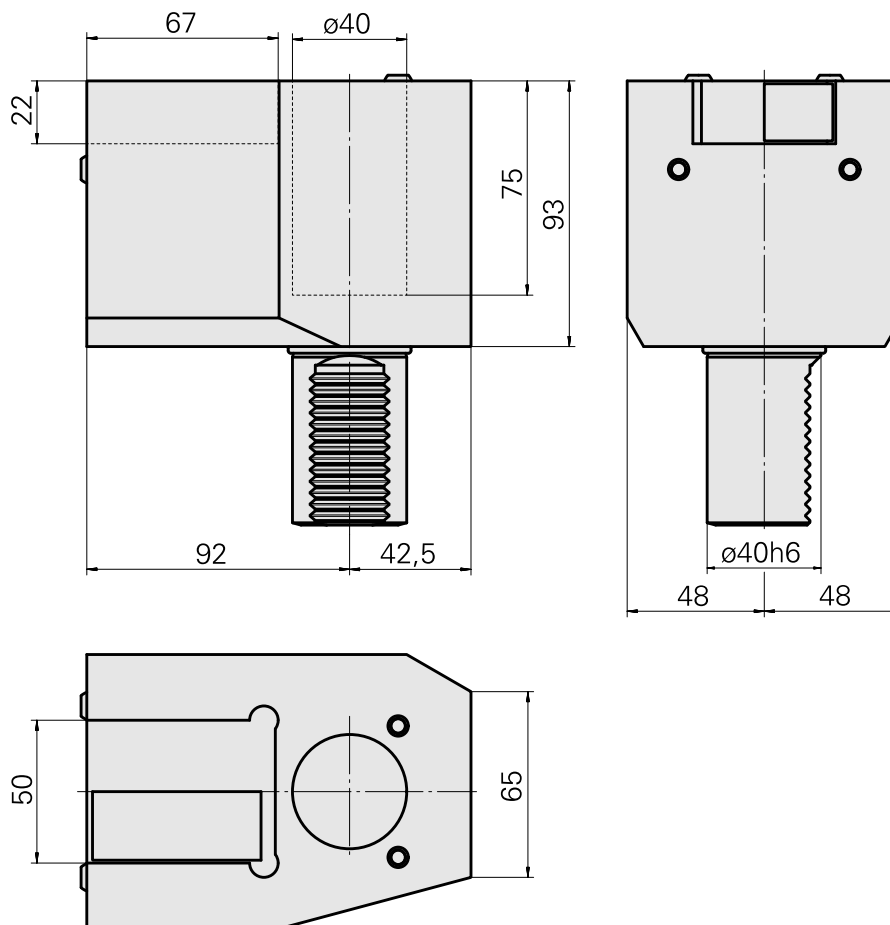
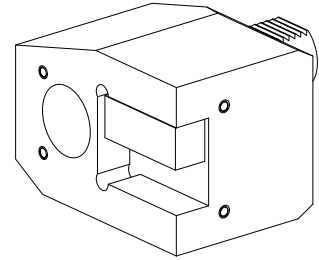


Drilling and turning holder VDI 40 D40 (

Technical data

Shank VDI	VDI 40
Drive	not live
Fixation VDI	none
Cooling	external
Pressure	40 bar
Mounting	D40/Square 25x25
reversible 180°	no
X [mm]	93 (3.66")
Y [mm]	–
Z [mm]	92 (3.62)
INDEX TRAUB products	TNA400 • B400 • B500 • TNA500.2 • TNA400.2 • TNA400.3 • B400.3 • B500.3 • TNA500.3



Documents

No downloads available for this product

Accessories

Optional accessories

Other accessories

[Mounting sleeve with collar D40](#)

Product ID : 10480161

Previous product ID : W64222.41--

[Mounting sleeve D40 2x holes](#)

Product ID : 10159790

Previous product ID : W64220.02--

[Mounting sleeve D40 3x holes](#)

Product ID : 10789882

Previous product ID : W64221.14--

[Not defined](#)

Product ID : 10090727

Previous product ID : W9990343

[Spanner f. Kühlmittelsatz W9990343](#)

Product ID : 10466546

Previous product ID : SW000257
