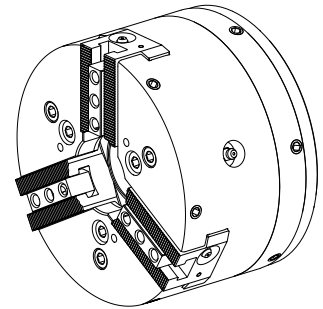


3-jaw chuck

Technical data

INDEX TRAUB products	C200 • G220 • R200
Spindle clearance	46mm
Machining side	Main spindle • Counter spindle
manufacturer product line	KFD-HS160-46
Spindle mounting	AP140
manufacturer product line	Roehm



No 3-side view is currently available for this product

Documents

No downloads available for this product

Accessories

Optional accessories

O-Rings

[Gasket ring](#)

Product ID : 10633169

Previous product ID : 479105.6702

manufacturer product line Trelleborg	TSS material no.	Cord size 2.5 Millimeter	manufacturer product line O-ring
---	------------------	-----------------------------	-------------------------------------

[O-RING 72,69X2,62 V70SH](#)

Product ID : 10322342

Previous product ID : 479103.0722

manufacturer product line Trelleborg	TSS material no.	Cord size 2.62 Millimeter	manufacturer product line O-ring
---	------------------	------------------------------	-------------------------------------

Other accessories

[Mounting jaws ID-Nr 046404 \(3x 116747\)](#)

Product ID : 10627887

Previous product ID : 908127.2941

[Mounting jaws Id.Nr 046403 \(3x 116735\)](#)

Product ID : 10645157

Previous product ID : 908127.2951

[Adaptor D65 G160](#)

Product ID : 10597214

Previous product ID : 908127.8421

[Pedal Switch gesteckt](#)

Product ID : 10128625
Previous product ID : GL4502.2340

[Boring fixture Standard-Umfang bis Ø250mm](#)

Product ID : 10362531
Previous product ID : W9991012

[Boring fixture Premium-Umfang bis Ø250mm](#)

Product ID : 10422192
Previous product ID : W9991013
