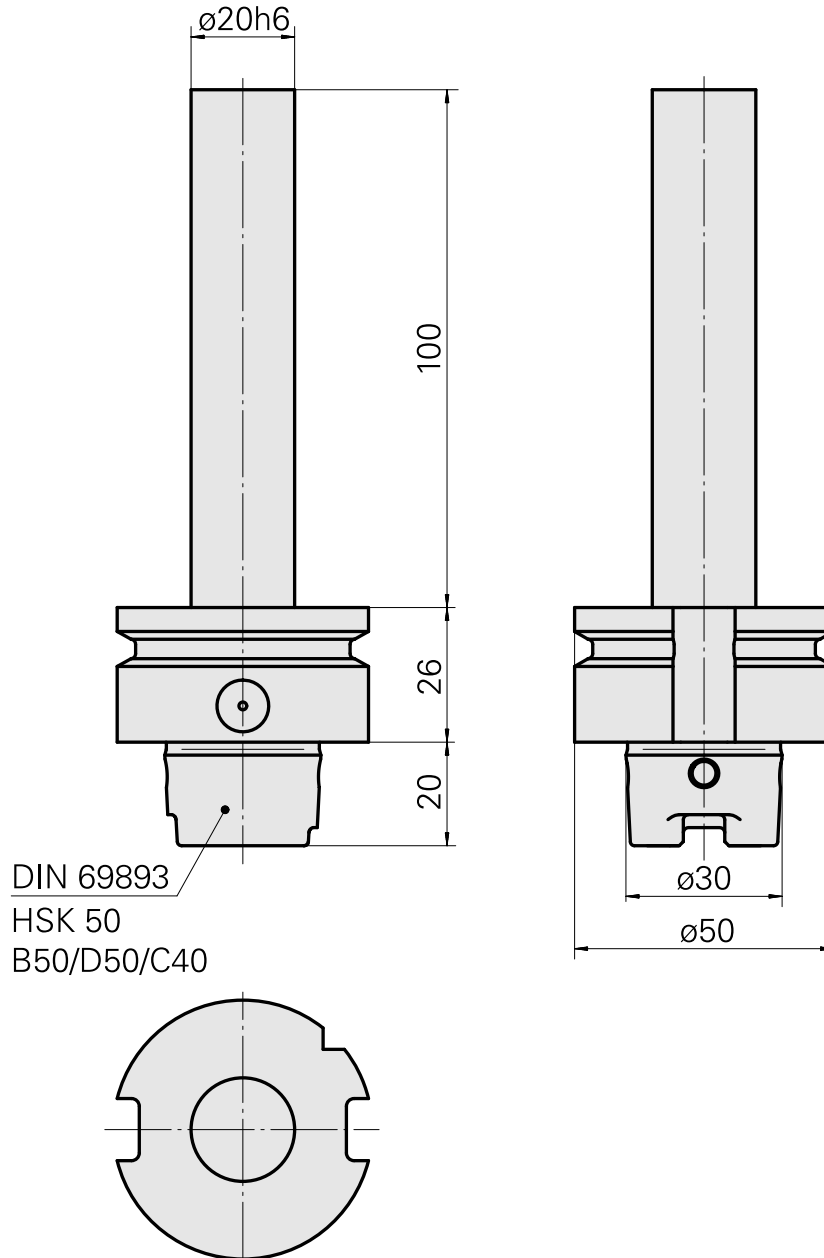
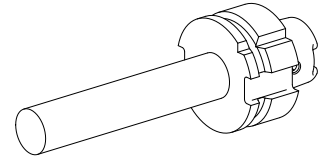


Calibrating tool HSK 50 B50/D50/C40

Technical data

| | |
|----------------------|----------------------------------|
| Shank HSK | HSK 50 |
| Form HSK | B50/D50/C40 |
| X [mm] | 126 (4.96") |
| INDEX TRAUB products | G300 • V100 • V200 • G200 • V300 |



Documents

No downloads available for this product