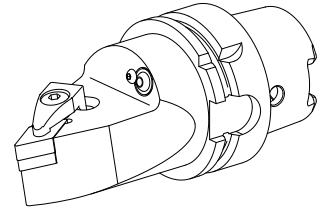


## Turning tool holder HSK 63 T for DN.. 15

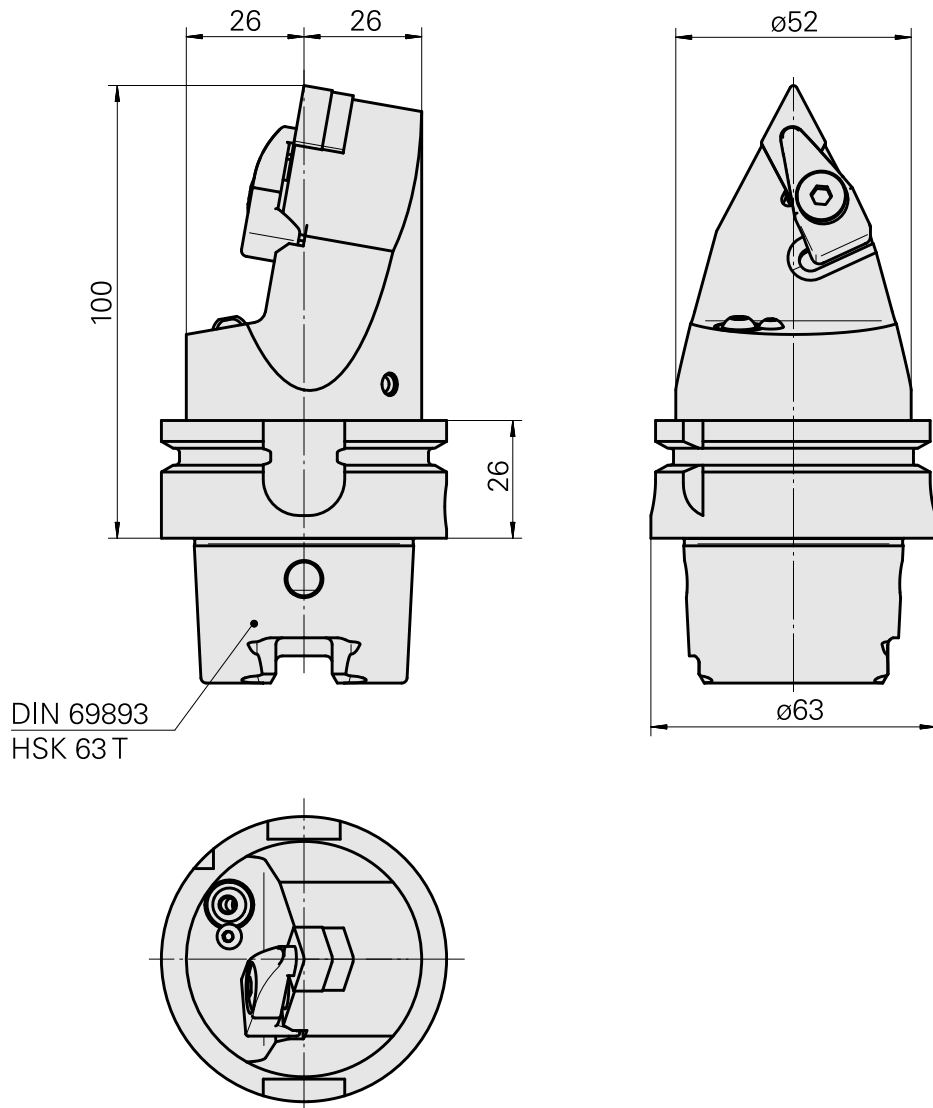
### Technical data

<b>Shank HSK</b>	HSK 63
<b>Form HSK</b>	T
<b>Mounting</b>	for DN.. 1506..
<b>Cooling</b>	external
<b>Pressure</b>	80 bar
<b>X [mm]</b>	100 (3.94")
<b>INDEX TRAUB products</b>	G220 • R300 • G420 • G520 • G320.2 • G220.3 • TNX220.3 • G320.3 compact



### Note

Not suitable for INDEX G160, G250 and G400!



---

## Documents

No downloads available for this product

## Accessories

Required for operation

### [Socket wrench](#)

Product ID : 10352082

Previous product ID : WS7800.0010

TH accessories  
category  
Tool for KSS adapter

Mounting  
HSK 63 A/C

Optional accessories

### Tool holder accessories

### [Coolant adapter kit HSK-A63](#)

Product ID : 11074450

Previous product ID : WS7800.0020

TH accessories  
category  
Cooling lubricant  
transfer set

Mounting  
HSK 63 A/C

### [Coolant adapter kit HSK63, max. 120 bar](#)

Product ID : 12024087

Previous product ID :

TH accessories  
category  
Cooling lubricant  
transfer set

Mounting  
HSK 63 A/C

### Other accessories

### [Clamping screw 17843020](#)

Product ID : 10701191

Previous product ID : W00013.0033

10652895  
W2550001

**INDEX**

---

[Bush 17845040](#)

Product ID : 10881665  
Previous product ID : W00013.0034

---

[Lever 17841205](#)

Product ID : 10484952  
Previous product ID : W00014.0014

---

[Spring 17842160](#)

Product ID : 10307247  
Previous product ID : W00019.0104

---

[Base plate 17844105](#)

Product ID : 10229263  
Previous product ID : W00019.0145

---