

## WFB 32-20 ER16, with internal clamping nut

### Technical data

TH accessories category

WFB 32-20

Mounting

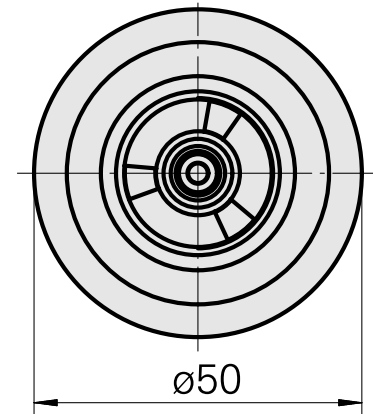
ER16

Quick change inserts

collet mounting



min. 16 - max. 18,6



---

## Documents

No downloads available for this product

## Accessories

Required for operation

### [Spanner](#)

Product ID : 11006246

Previous product ID : 490219.3161

TH accessories category Tool	Mounting ER16	Collet type ER 16	Clamping nut type Male thread
Tools for Collet chucks Clamping nut wrench			

### Optional accessories

#### Tool holder accessories

### [Clamping nut](#)

Product ID : 10911008

Previous product ID : 901939.5161

TH accessories category Clamping nut	Mounting ER16	Collet type ER 16	Clamping nut type Male thread
---	------------------	----------------------	----------------------------------

#### Other accessories

### [Clamping collet](#)

Product ID : 10834596

Previous product ID : 901930.1---

---

### [Clamping collet](#)

Product ID : 10589709

Previous product ID : W99903--

---

10649752  
836281

**INDEX**

---

[tapping tool collet ET-1-16](#)

Product ID : 10542491  
Previous product ID : 3230--

---

[tapping tool collet](#)

Product ID : 10865233  
Previous product ID : WZ9990.9506F

---

[Collet chuck](#)

Product ID : 10870393  
Previous product ID : W999065-

---

[Clamping collet, sealed](#)

Product ID : 10433061  
Previous product ID : W999083-

---