

## INDEX CAPTO C3 for CN.. 1204.., right, with gripper groove

### Technical data

TH accessories category

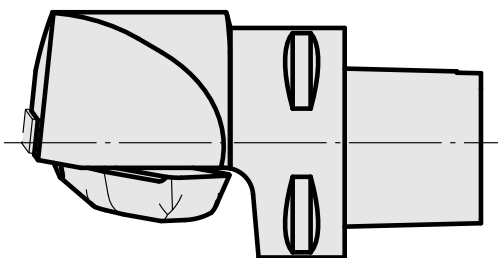
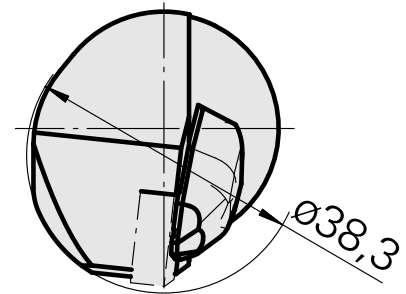
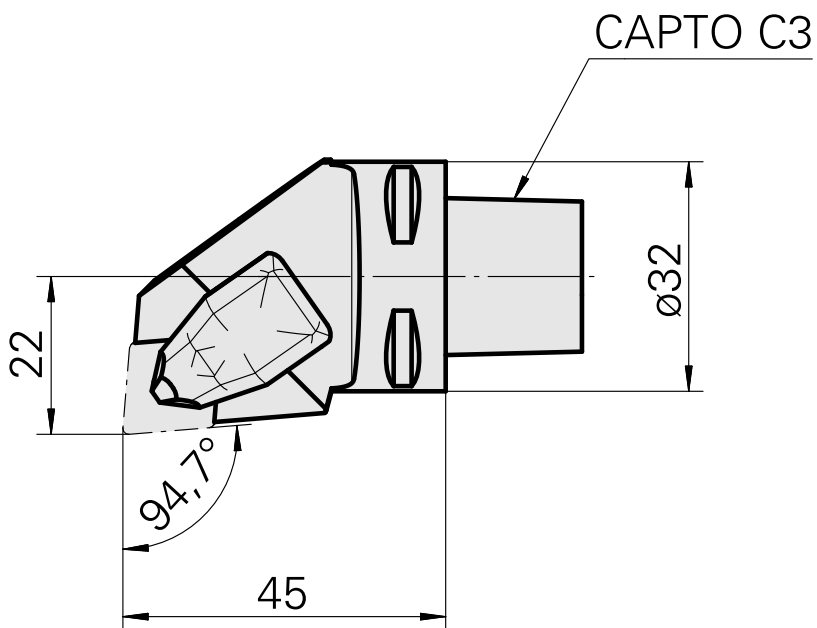
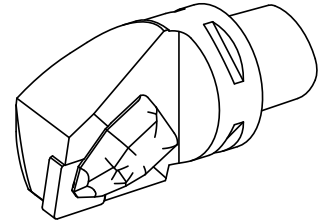
INDEX CAPTO C3

Mounting

for CN.. 1204..

Quick change inserts

Turning tool holder



## **Documents**

No downloads available for this product