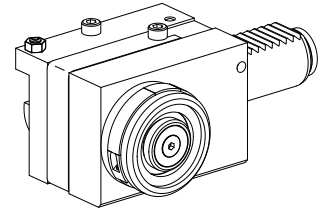


Embossing roll holder VDI 30

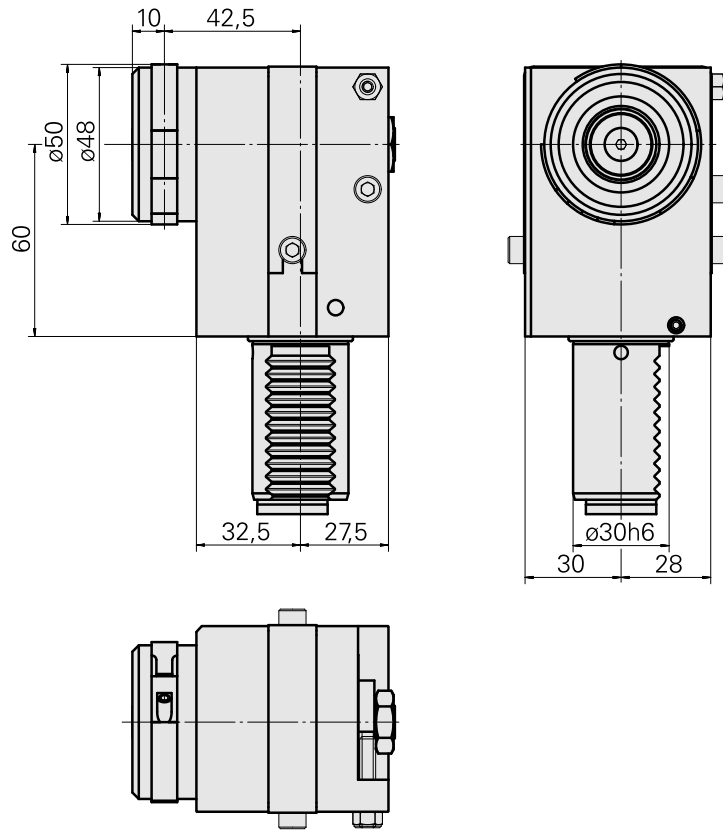
Technical data

Shank VDI	VDI 30
Drive	not live
Fixation VDI	none
Cooling	internal
Pressure	20 bar
reversible 180°	no
Data carrier	check tool station bore
X [mm]	60 (2.36")
Y [mm]	–
Z [mm]	42.5 (1.67)
INDEX TRAUB products	G160 • G300 • IT600 • V100 • V200 • A200-6 • B400 • C200 • G220 • G250 • R300 • TNX65/42 • V160C • V160G • V300 • TNA300 • TNA400.2 • G220.3 • TNX220.3 • TNX200.3 • G200.3 • G320.3 compact • B400.3 • TNA400.3



Note

Cooling lubricant supply unit required!



Documents

No downloads available for this product

Accessories

Optional accessories

Tool holder accessories

[Embossing roller, D50 mm \(1.96"\)](#)

Product ID : 10609077

Previous product ID : W63380.0030

TH accessories
category
Embossing roller

[Embossing roller, D60 mm \(2.36"\)](#)

Product ID : 10446615

Previous product ID : W63380.0060

TH accessories
category
Embossing roller