

## WFB 20-12 Milling shaft D5

### Technical data

TH accessories category

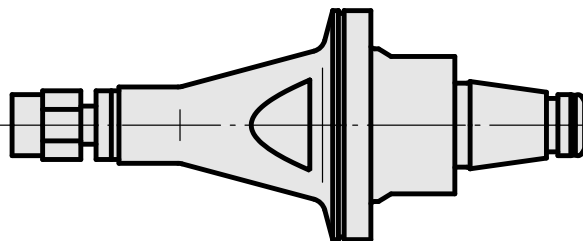
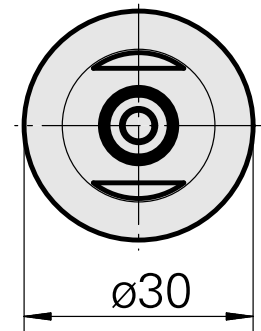
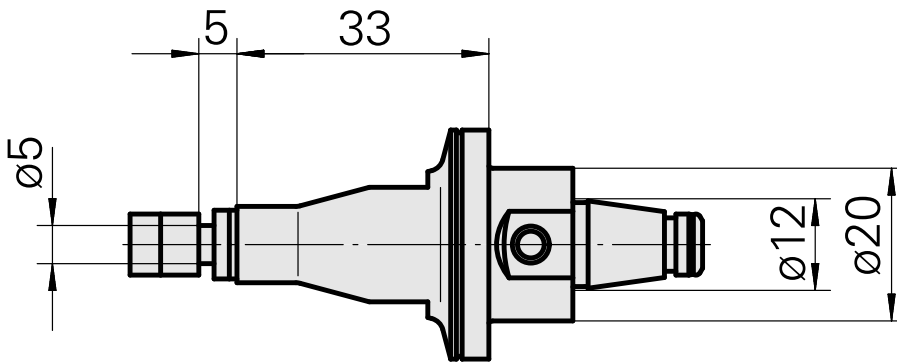
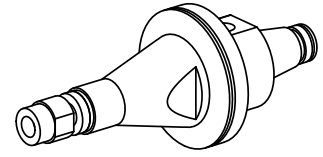
WFB 20-12

Mounting

Milling shaft D5

Quick change inserts

mill arbor mounting



## **Documents**

No downloads available for this product