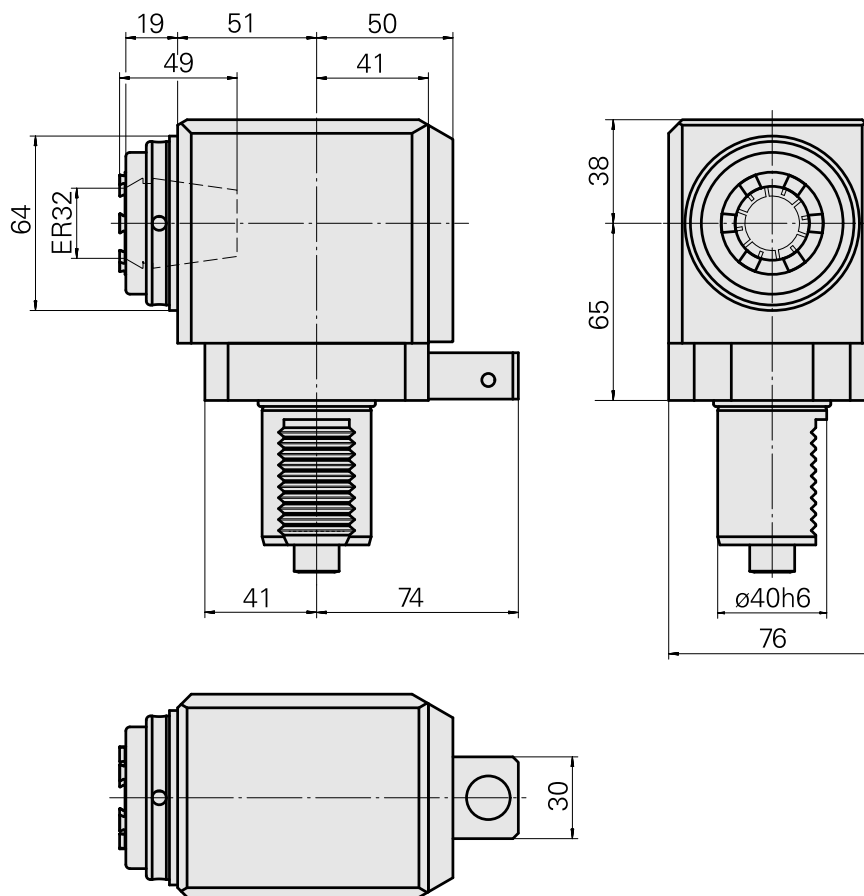
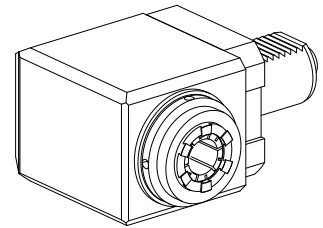


## Milling unit VDI 40 1:1 ER32

### Technical data

<b>Shank VDI</b>	VDI 40
<b>Drive</b>	Spline shaft B17x14
<b>Fixation VDI</b>	Aligning system
<b>Speed ratio</b>	1:1
<b>Cooling</b>	external
<b>Pressure</b>	40 bar
<b>Mounting</b>	ER32
<b>reversible 180°</b>	no
<b>Direction</b>	same as drive direction
<b>X [mm]</b>	65 (2.56")
<b>Y [mm]</b>	–
<b>Z [mm]</b>	71 (2.80)
<b>INDEX TRAUB products</b>	TNA400



## Documents

No downloads available for this product

## Accessories

Required for operation

### [Spanner](#)

Product ID : 10174063

Previous product ID : 325767

TH accessories category Tool	Mounting ER32	Collet type ER 32	Clamping nut type Male thread
Tools for Collet chucks Clamping nut wrench			

### [Hook wrench](#)

Product ID : 10941836

Previous product ID : 490344.1580

TH accessories category Tool	Clamping nut type Outside diameter 58-62 mm	Tools for Collet chucks Hook wrench with pin, form B
---------------------------------	---	--

## Optional accessories

### Tool holder accessories

### [Clamping nut](#)

Product ID : 10322936

Previous product ID : 325950

TH accessories category Clamping nut	Mounting ER32	Collet type ER 32	Clamping nut type Male thread
---	------------------	----------------------	----------------------------------

### Other accessories

---

[Clamping collet](#)

Product ID : 10187712  
Previous product ID : 901930.6---

---

[tapping tool collet ET-1-32](#)

Product ID : 10640099  
Previous product ID : 3242--

---

[tapping tool collet](#)

Product ID : 10601144  
Previous product ID : WZ9990.9509F

---

[Collet chuck](#)

Product ID : 10659178  
Previous product ID : W999068-

---

[Tool holder 6x1x70](#)

Product ID : 10817034  
Previous product ID : W00019.0465

---

[Tool holder M14x1](#)

Product ID : 10257870  
Previous product ID : W00019.0466

---