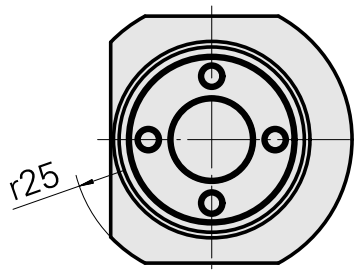
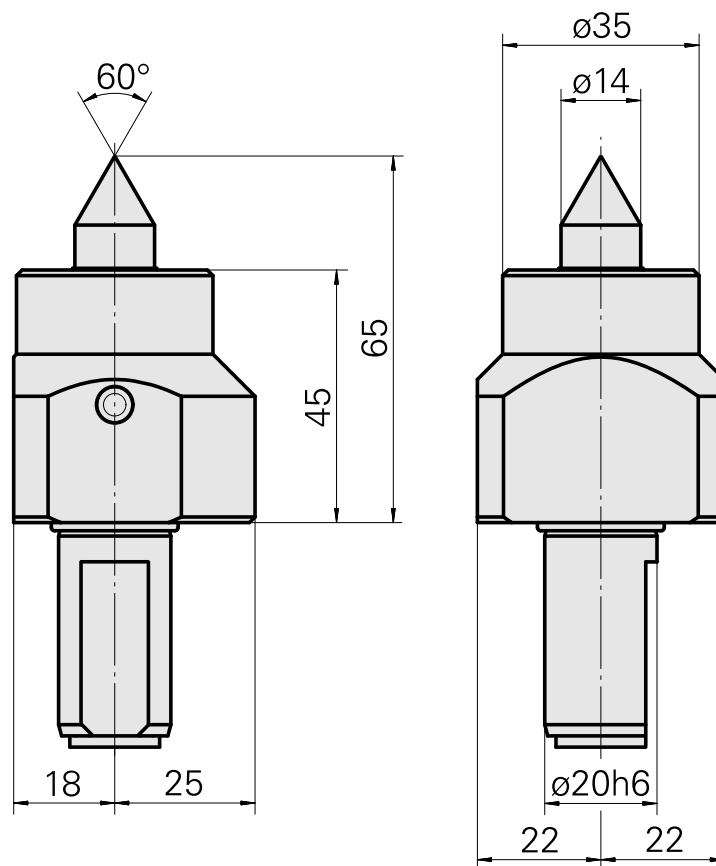
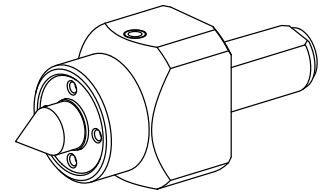


Center holder VDI 20, elastic, live

Technical data

| | |
|-----------------|------------|
| Shank VDI | VDI 20 |
| Drive | not live |
| Fixation VDI | none |
| reversable 180° | no |
| X [mm] | 65 (2.56") |
| Y [mm] | - |
| Z [mm] | - |



Documents

No downloads available for this product

Accessories

Optional accessories

Other accessories

[Centre vorgeschliffen](#)

Product ID : 10381711

Previous product ID : 8W13624.04
