

Voreinst. SK50/Bohrhaltestück D22mm

Technical data

TH accessories category

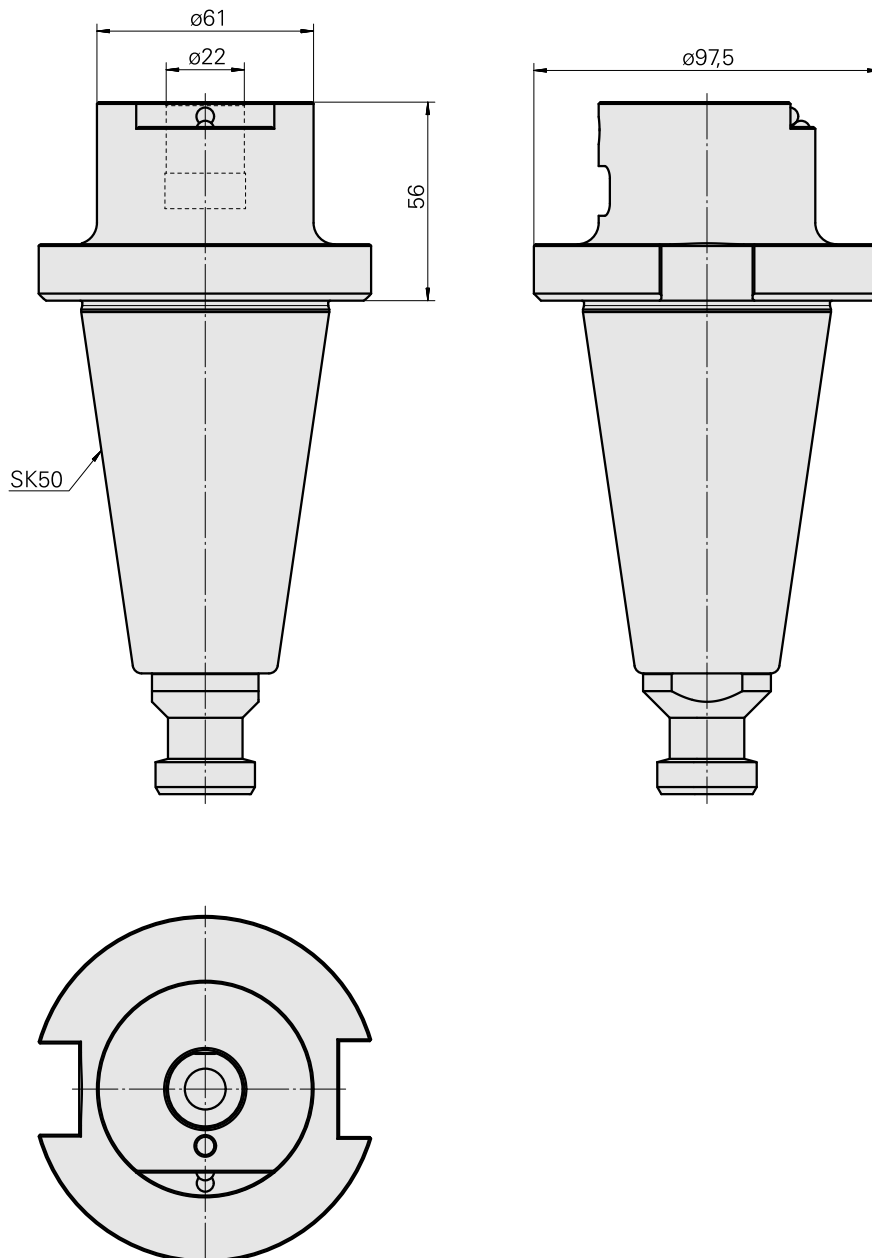
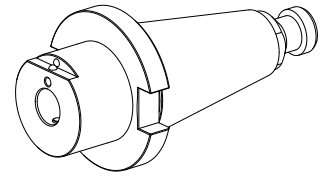
Adapter for presetting units

Mounting

SK50

Tool mounting

Drill holding block D22mm



Documents

No downloads available for this product