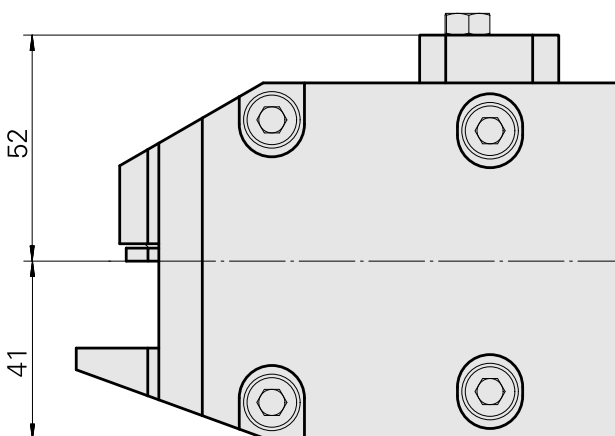
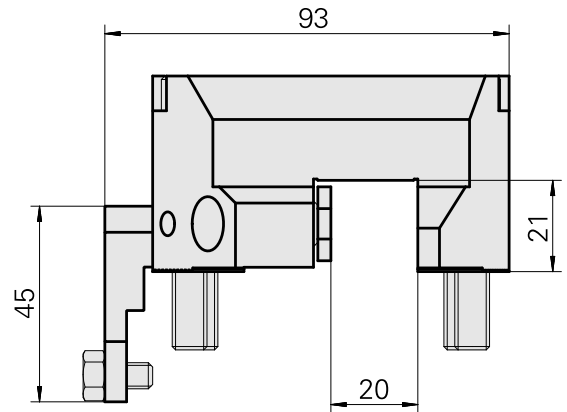
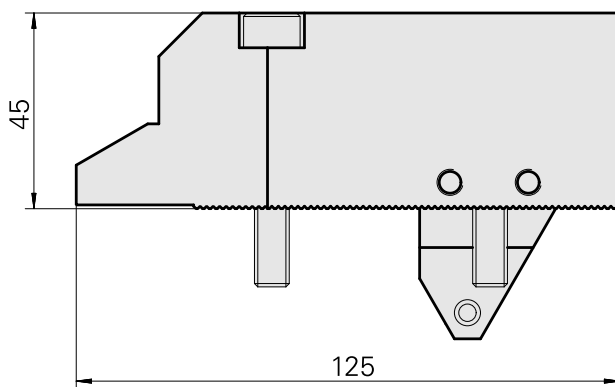
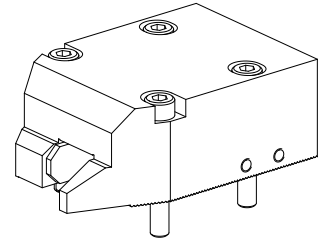


## Grooving tool holding block Square 20x20

### Technical data

<b>Drive</b>	not live
<b>Direction</b>	left-handed run
<b>Mounting</b>	Square 20x20
<b>X [mm]</b>	125 (4.92")
<b>Y [mm]</b>	-
<b>Z [mm]</b>	45 (1.77)
<b>INDEX TRAUB products</b>	MS52C • MS52-6.3



---

## Documents

No downloads available for this product

## Accessories

Optional accessories

### Tool holder accessories

[Angle, height 8 mm \(0.31"\), width 8 mm \(0.31"\)](#)

Product ID : 10271441

Previous product ID : W63300.0010

TH accessories  
category  
Compensation bracket

Mounting  
Square 20x20

[Angle, Height 4 mm, Width 4 mm](#)

Product ID : 10135472

Previous product ID : W63300.0020

TH accessories  
category  
Compensation bracket

Mounting  
Square 20x20