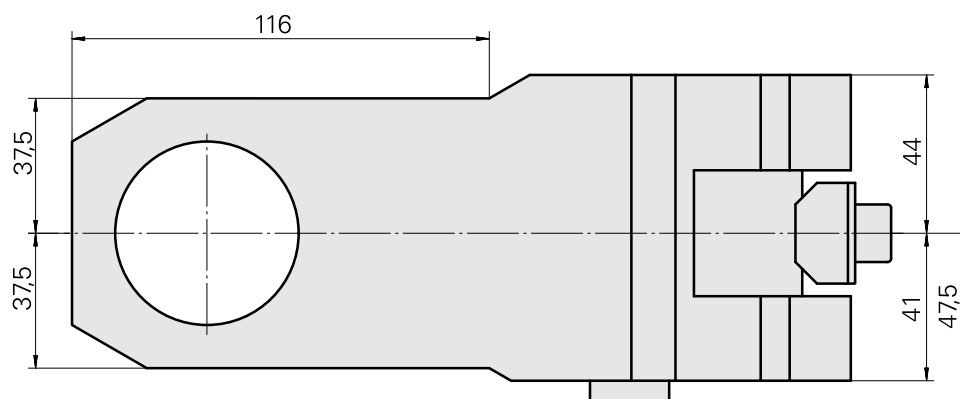
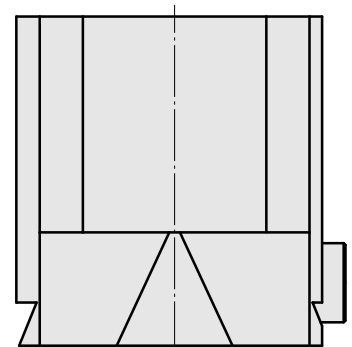
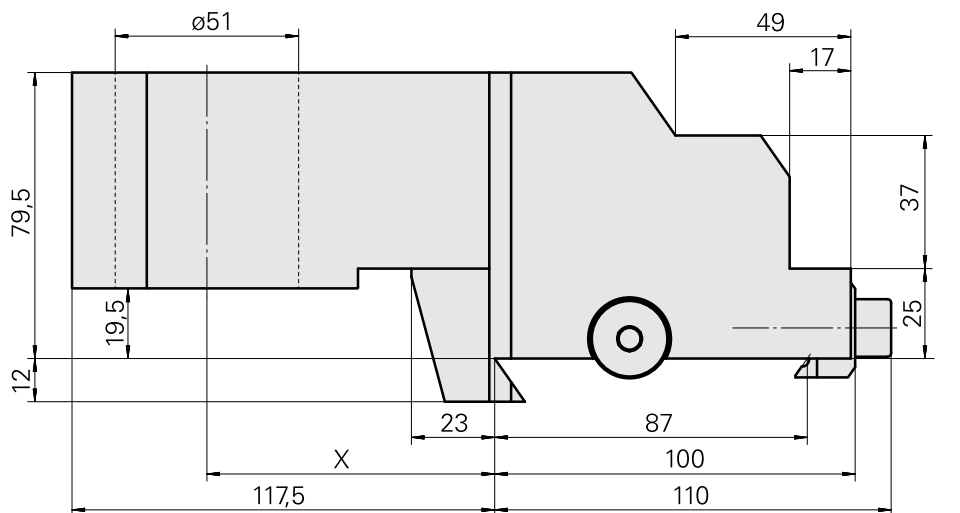
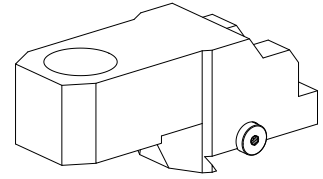


Drilling tool and stop holder

Technical data

Slide system MS	MS32/MS40
Drive	not live
Fixation MS	Dovetail
Mounting	Hydraulic expansion chuck D51
X [mm]	80 (3.15")
Y [mm]	–
Z [mm]	79.5 (3.13)
INDEX TRAUB products	MS32C • MS32-6.2 • MS40-6 • MS40-8 • MS32-6.3



X	80
---	----

Documents

Product notes

[DE \(pdf\)](#)

[EN \(pdf\)](#)

[FR \(pdf\)](#)

Accessories

Optional accessories

Tool holder accessories

[Reductions Hydraulic Expansion D51/ D36](#)

Product ID : 10455757

Previous product ID : W95281.1550

TH accessories
category
Reductions Hydraulic
Expansion

Mounting
D51

Tool mounting
D36

Other accessories

[Not defined Standard MS52](#)

Product ID : 10397970

Previous product ID : WM3700.3110F
