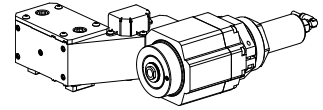

Center holder MS16 grooving slide D11.2/, elastic, live

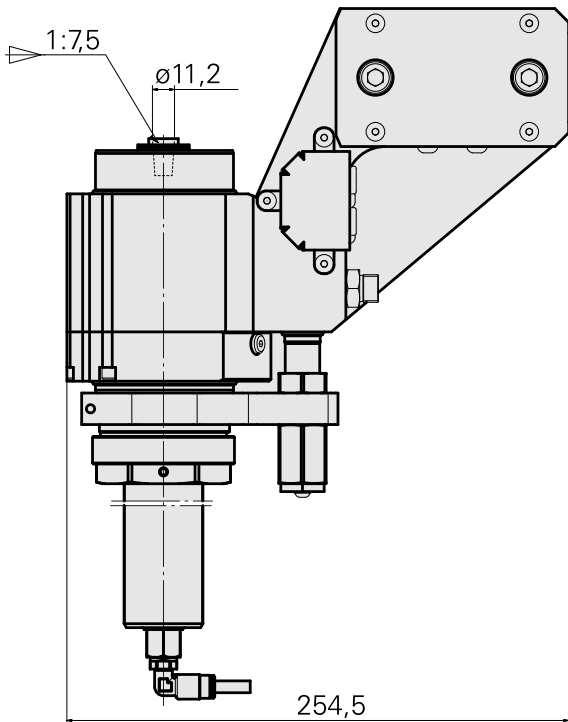
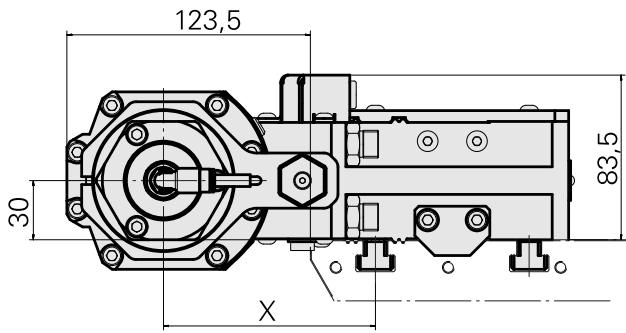
Technical data



| | |
|-----------------------------|----------------------|
| Slide system MS | MS16 grooving slide |
| Drive | not live |
| Fixation MS | W serration |
| Mounting | D11.2/Cone 1:7.5 |
| X [mm] | – |
| Y [mm] | – |
| Z [mm] | – |
| INDEX TRAUB products | MS16-6 • MS16-6 Plus |

Note

Spring travel 2.1 mm, Yellow ring 0 - 1000 N, Red ring 1000 - 2300 N



| | |
|---|-------|
| X | 107,5 |
|---|-------|

Documents

No downloads available for this product

Accessories

Optional accessories

Other accessories

[Center Kegel 1:7.5](#)

Product ID : 10112982

Previous product ID : W94280.23--
