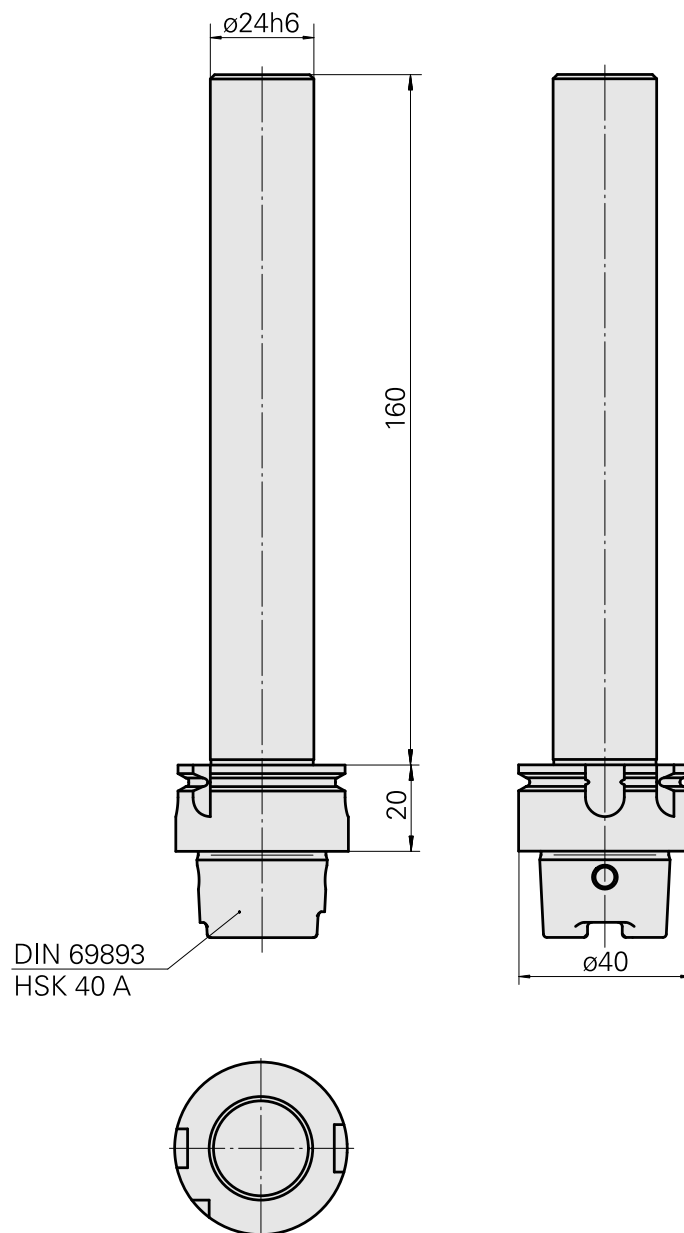
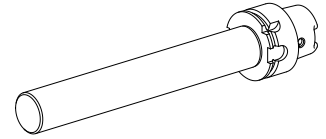


## Calibrating tool HSK 40 A D24 (0.94 ")

### Technical data

Shank HSK	HSK 40
Form HSK	A
Mounting	D24
X [mm]	180 (7.09")
INDEX TRAUB products	G160 · V100 · G200.2 · G220 · R200 · TNX65/42 · G220.3 · TNX220.3



## **Documents**

No downloads available for this product