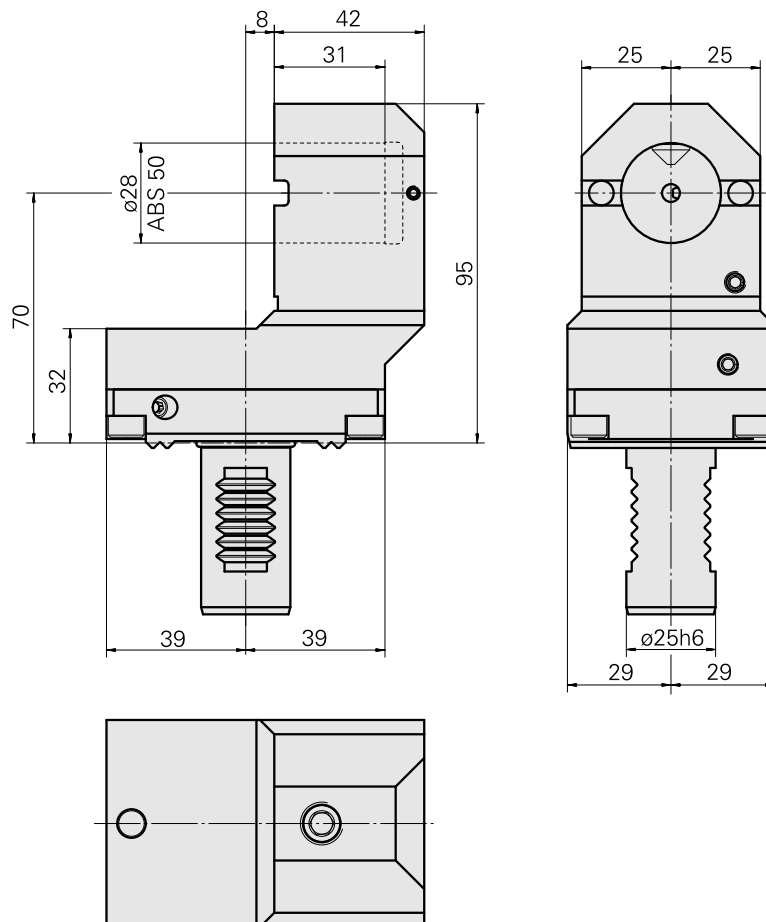


## Compensation holder VDI 25 ABS 50

### Technical data

<b>Shank VDI</b>	VDI 25
<b>Drive</b>	not live
<b>Fixation VDI</b>	W serration
<b>Cooling</b>	internal
<b>Pressure</b>	80 bar
<b>Mounting</b>	ABS 50
<b>reversible 180°</b>	yes
<b>X [mm]</b>	70 (2.76")
<b>Y [mm]</b>	—
<b>Z [mm]</b>	-8 (-0.31)
<b>INDEX TRAUB products</b>	C42/65 • G160 • ABC • C100 • C200 • G200 • G200.2 • G220 • ABC.2 • G220.3 • TNX220.3 • TNX200.3 • G200.3 • TNX160.2



## Documents

No downloads available for this product

## Accessories

Optional accessories

**Other accessories**

### [Sealing kit](#)

Product ID : 12181692  
Previous product ID :

---

### [PLUG 10,5 D MIT O-RING 479105.0801](#)

Product ID : 10823291  
Previous product ID : W67221.4198

---