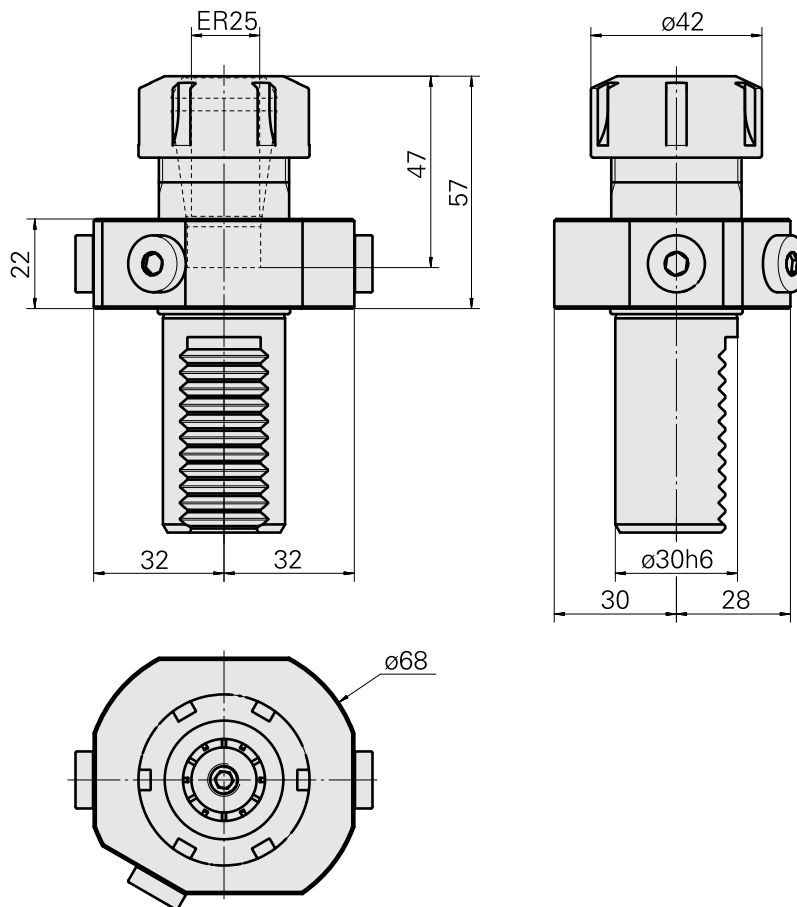
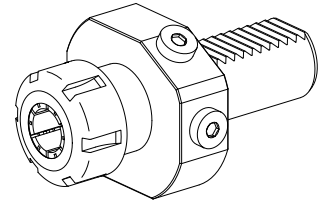


Drilling tool holder VDI 30 ER25, Form E4

Technical data

Shank VDI	VDI 30
Drive	not live
Fixation VDI	none
Cooling	internal
Pressure	80 bar
Mounting	ER25
reversible 180°	no
Data carrier	check tool station bore
X [mm]	68 (2.68")
Y [mm]	-
Z [mm]	-
INDEX TRAUB products	IT600 • V100 • V200 • V160C • V160G • V300 • TNA300



Documents

No downloads available for this product

Accessories

Required for operation

[Spanner](#)

Product ID : 10802433

Previous product ID : 490219.0251

TH accessories category Tool	Mounting ER25	Collet type ER 25	Clamping nut type Female thread
Tools for Collet chucks Clamping nut wrench			

Optional accessories

Tool holder accessories

[Clamping nut](#)

Product ID : 10193990

Previous product ID : 901939.0251

TH accessories category Clamping nut	Mounting ER25	Collet type ER 25	Clamping nut type Female thread
---	------------------	----------------------	------------------------------------

Other accessories

[Clamping collet](#)

Product ID : 10206464

Previous product ID : 901930.3---

[tapping tool collet ET-1-25](#)

Product ID : 10191234

Previous product ID : 3224--

10424888
W1300025

INDEX

[tapping tool collet](#)

Product ID : 10256515
Previous product ID : WZ9990.9507F

[Collet chuck](#)

Product ID : 10029756
Previous product ID : W999067-

[Clamping collet, sealed](#)

Product ID : 10698406
Previous product ID : W999085-
